

A.J.S. Motor Cycles

1915-24.

LIST OF SPARE PARTS

FOR—

6 & 7-H.P. 3-SPEED
COUNTERSHAFT GEARED
CHAIN DRIVEN MODEL.



A. J. STEVENS & Co. (1914) Ltd.,

Head Offices: GRAISELEY HOUSE. Works: GRAISELEY HILL,

WOLVERHAMPTON.

ENGLAND.

TELEPHONE:
1166 (3 lines.)

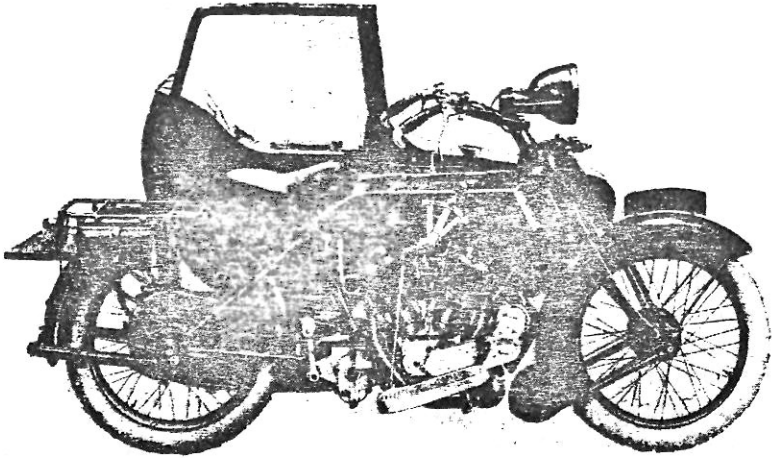
TELEGRAMS:
"Hopit, Wolverhampton."

CODE:
A.B.C. 5th Edn.

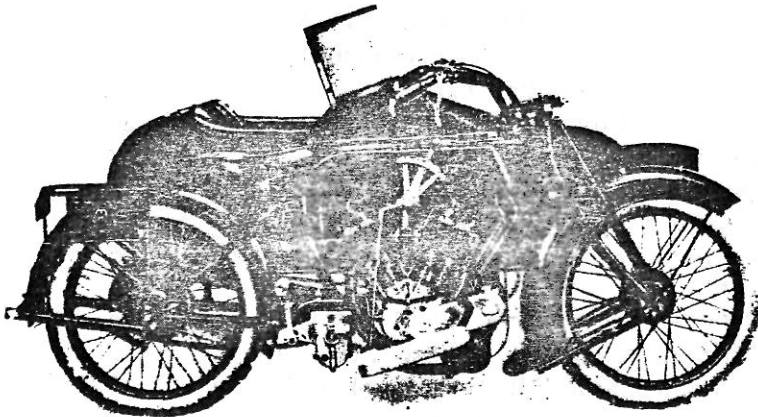
A.J.S. MOTOR CYCLES.

INDEX.

	Description of Part. Page	Illustration of Part. Page
Engine Parts	8, 10, 12 34, 36	9, 11, 13 35, 37
Hub, Rim, etc.-	12	13
Rear Brake Parts	14, 34	15, 35
Detachable Wheel: Complete	14	15
Countershaft Gear, Clutch, Kick-Starter. Change Speed Lever Parts	16, 18, 36	17, 19, 37
Footboard Parts	20	21
Front Brake Parts, 1915-1920 Pattern	20	21
Front Expanding Brake Parts	34	35
Handle-bar	20	21
Frame Parts, Front and Back Stands	22	23
Spring Fork Parts	22, 24	23, 25
Carrier	24	25
Chain Case Parts	26	27
Mudguard Parts	26	27
Tank and Fittings	26	27
Carburetter Parts, Two Lever Type, A.M.A.C.	28	29
Carburetter Parts, Two Lever Type, BINK'S	45	-
Magneto and Ignition Parts	30	31
Magdyno Lighting Set	46	-
Oil Pump Parts	32	33
Alterations affecting the 1921-4 7h.p. Model	34	35
1922-23 & 1924 Engine Parts, 1923-4 Change Speed Lever, Kick-starter, Pedal Rubber, etc.	36	37
Sidecar Chassis Parts, 6 h.p. 1915-20	38	39
Sidecar Chassis & Body Parts, 7 h.p. 1922-4	40	41
Sidecar Chassis & Body Parts, 7 h.p. DI 1924	48	-
Sidecar Parts, Hood, Mudguard, etc.	42	43
Brake Cables, Controls, etc.	49	-
Chain Parts, Tool Cases, Saddle, Inflator g Shields	44	-
Tools	44	-
Alterations affecting the 1924 DI Model	47	-



7-H.P. A.J.S. DE LUXE MOTOR CYCLE AND SIDECAR.
MODEL "D."



7-H.P. A.J.S. MOTOR CYCLE AND SIDECAR.
MODEL "D1."

FOREWORD.

SPARE PARTS CATALOGUE.

THIS edition of our Spare Parts Catalogue includes illustrations of practically every item on the machine and side-car. We feel sure that the inclusion of the drawings will materially add to the assistance of our clients in recognising the various parts when replacements may be required.

Clients are particularly asked to read over the instructions respecting the ordering of Spare Parts.

This Catalogue deals exclusively with our 6 & 7 h.p. 1915-1924 Model D Motor Cycles, and the 1924 Model DI Motor Cycles.

All previous Lists are cancelled.

All new Motor Cycles, Spare Parts, Replacements, Repairs, etc., are only supplied or carried out under the guarantee given with each new Motor Cycle, and under no other conditions.

A. J. STEVENS & CO. (1914) LTD.

June, 1924.



Important Rules to be observed:

It will greatly facilitate prompt attention to clients' correspondence or requirements if letters or goods are addressed to the Company, and to the department concerned.

The main departments are as follows:—

New Machines	-	-	-	Sales Department.
Repairs, Overhauls, or Replacements of Parts under Guarantee	-	-	-	Repair Department.
Spare Parts	-	-	-	Spare Parts Department.
Accounts	-	-	-	Accounts Department.

Parts sent to us to be repaired, replaced or as pattern, should bear distinctly the sender's full name and address, and explicit instructions should follow by letter of advice stating specifically what is required.

All goods must be consigned Carriage Paid or we cannot accept delivery of same.

Full particulars should also be given as to how the goods are to be returned, whether crated, uncrated, passenger or goods train. This refers only to complete machines or bulky articles such as engine, etc.

When forwarding a complete Motor Cycle, do not fail to remove all accessories, such as lamp, horn, tools, badges, etc., otherwise we cannot be held responsible for their safe return, although we take every possible precaution in this respect.



Estimates.

We are sometimes asked by clients when sending their Engines or Motor Cycles etc., for repairs or overhauls to furnish an estimate for the necessary work. We are pleased to do this on the distinct understanding that we reserve the right to charge for any extra work or new parts found necessary to put such machine or engine, etc., in good running order, which it may have been impossible to detect when dismantling.

We prefer not to undertake a repair or overhaul (nor do we accept any responsibility) when the estimate for same has been curtailed by the owner.

If an estimate is not accepted after tender, a charge is made for taking down, re-assembling, and preparing the estimate.

All goods returned by us are consigned Carriage Forward.

When sending particulars by letter of work to be done to repairs, please do not mix up such instructions with other matter.

Attention to these details will obviate delay and inconvenience to both parties.

All letters must be addressed to our Head Offices :

GRAISELEY HOUSE, WOLVERHAMPTON.

Spare Parts Orders.

WHEN ordering any part in this Catalogue, the number found printed in BLACK below the illustration should be quoted, together with the description of the part. The numbers printed in red are only to facilitate easy reference. In addition to quoting the horse power and model it is always advisable to give the number of the engine which will be found stamped upon the driving side of the crank case immediately below the foot of rear cylinder.



Prices of Spare Parts.

IMPORTANT NOTES.—Please do not enclose cheques, Postal Orders or money of any kind in parcels sent to the Company. All payments should be made through separate post and the amount stated in letter. We accept no responsibility for loss if money is enclosed in Parcels.

We shall at all times be pleased to quote for any replacement or spare part, if our clients wish to know the figure before definitely placing their order.



Terms of Business.

WHEN ordering parts by letter the exact amount, including postage, must be remitted, or (in any case where the cost is not known) a sum likely to cover the cost.

If the amount remitted is in excess or insufficient, the matter will be adjusted, but the sender should advise us if any surplus is to be returned or placed to his credit. If cash is not sent with order a *pro forma* invoice will be issued, and when the amount is remitted, the goods will be forwarded.

If parts are urgently wanted a remittance may be sent by wire. In this case the sender must fill in his full name and full address in the space provided on the Post Office Requisition Form for a private message from the remitter to payee; unless this is done the Post Office do not give this information in the telegram.

All Orders given by Wire or Telephone must be confirmed by letter.

Under no circumstances shall we despatch Spare Parts until their Price has been received.

If parts are ordered from abroad, the cost of carriage, freight, customs' charges, etc., must be added—where, however, it is absolutely necessary that Spares are secured without delay, we earnestly recommend our clients to open a small credit a/c with us. A statement of account will be rendered monthly to all clients having deposit a/cs.

Should a client having a deposit account order Spare Parts from a temporary address, it is advisable to quote, besides his deposit a/c reference, his permanent address.

Packing Boxes, Crates, etc., are charged at cost, and are strictly Not-Returnable.

The Prices given in this Catalogue are subject to alteration without notice.

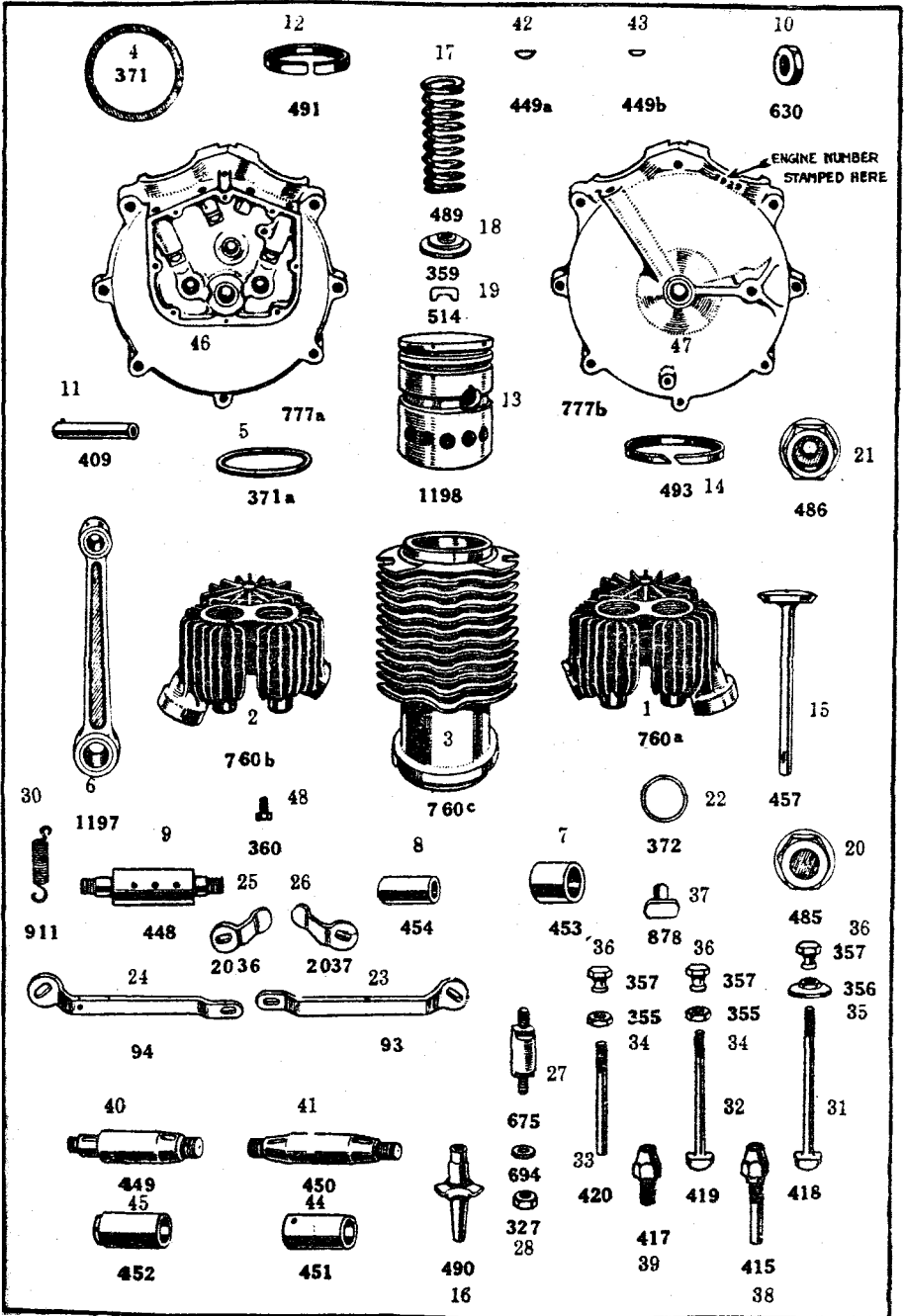


A.J.S. ENGINE PARTS.

Serial No.	Part No.	Description of Part.	6 h.p. 1915-20			7 h.p. 1921-24		
			Price.			Price.		
			£	s.	d.	£	s.	d.
	759	Front or Rear Cylinder (1915-1918 <i>en-bloc</i> Type)						
					£4	7	6	
1	760A	Front Detachable Cylinder Head, with Guides	2	2	6	1	16	0
2	760B	Rear Detachable Cylinder Head, with Guides	2	2	6	1	16	0
	760A or B	Front or Rear Detachable Cylinder Head, 7 h.p.						
					1921	£2	2	6
3	760C	Cylinder Barrel (Front or Rear) ...	1	15	0	1	7	6
4	371	Cylinder Foot Washer ...			2			2
5	371A	Detachable Head Washer ...			3			3
6	1197	Connecting Rod Complete with Bushes ...	1	2	0	1	1	0
7	453	Connecting Rod, Big End Bush ...			2	0		
8	454	Connecting Rod, Small End Bush ...			2	0	1	6
9	443	Crank Pin, without Nuts ...			8	0		
10	630	Crank Pin Nut ...			3			3
11	409	Gudgeon Pin ...			1	6	1	6
12	491	Gudgeon Pin Band ...			8			
13	1193	Piston only ...			14	0	13	0
14	493	Piston Rings ... 7 h.p. 1921 1/-			1	3		10
15	457	Valves (Inlet or Exhaust) ...			3	6	3	6
16	490	Valve Guide ...			1	9	1	3
17	489	Valve Spring ...			9			9
18	359	Valve Spring Cone ... Set of four			1	9	1	9
19	514	Valve Spring Cotter ...			2			2
20	485	Exhaust Valve Cap ...			2	0	2	0
21	486	Inlet Valve Cap ...			2	0	2	0
22	372	Valve Cap Washers ...			2			2
23	93	Exhaust Lifter Arm (Front Cylinder) ...			10			10
24	94	Exhaust Lifter Arm (Back Cylinder) ...			10			10
25	2083	Exhaust Lifter Short Arm (Front Cylinder) ...			6			6
26	2037	Exhaust Lifter Short Arm (Back Cylinder) ...			6			6
27	675	Exhaust Lifter Arm Pin ...			6			6
28	327	Exhaust Lifter Arm Pin Nut ...			1			1
29	694	Exhaust Lifter Arm Pin Washer ...			1			1
30	911	Exhaust Lifter Arm Return Spring ...			3			3
31	418	Exhaust Valve Tappets (Front and Back, Long) ...	1	9		1	6	
32	419	Back Inlet Valve Tappet (Medium) ...	1	9		1	6	
33	420	Front Inlet Valve Tappet (Short) ...	1	4		1	0	
34	355	Inlet Valve Tappet Lock Nuts ...			2			2
35	356	Exhaust Valve Tappet Lock Nuts ...			6			6
36	357	Tappet Tops ... each			3			3
37	878	Tappet Studs ... Set of four	1	3		1	3	
38	415	Exhaust Tappet Guide (Front and Back Cylinder) ...	1	10		1	3	
39	417	Inlet Tappet Guide (Front and Back Cylinder) ...	1	10		1	3	
40	9	Main Shaft, Timing Side, less Rivets 1915-16, 7-			5	0	5	0
41	450	Main Shaft, Driving Side, " " " 7 6			5	3	5	3
42	449A	Key for fixing Flywheels to Main Shaft ...			3			3
43	449B	Key for fixing Small Timing Pinion to Main Shaft ...			3			3
44	451	Main Shaft Driving Side, Crankcase Bush ...			2	9	2	3
45	452	Main Shaft Timing Side, Crankcase Bush ...			2	9	2	3
46	777A	Crankcase Timing Side, with Bushes			4	0	3	0
47	777B	Crankcase Driving Side, with Bushes			0	0	0	0
		Halves of Crankcase are not supplied separately.						
48	360	Oil Drain Plug for Crankcase ...			5			5
	453	Valve, complete with Spring, etc. ...			4	9	4	9
	1129	Piston, complete with Gudgeon Pin and Rings ...	18	8		18	2	
	1130	Piston, complete with Gudgeon Pin and Rings (Aluminium) ...					18	0

The alterations affecting the 1921-24 7 h.p. Engine, etc., will be found on pages 34 & 36.

A.J.S. ENGINE PARTS.



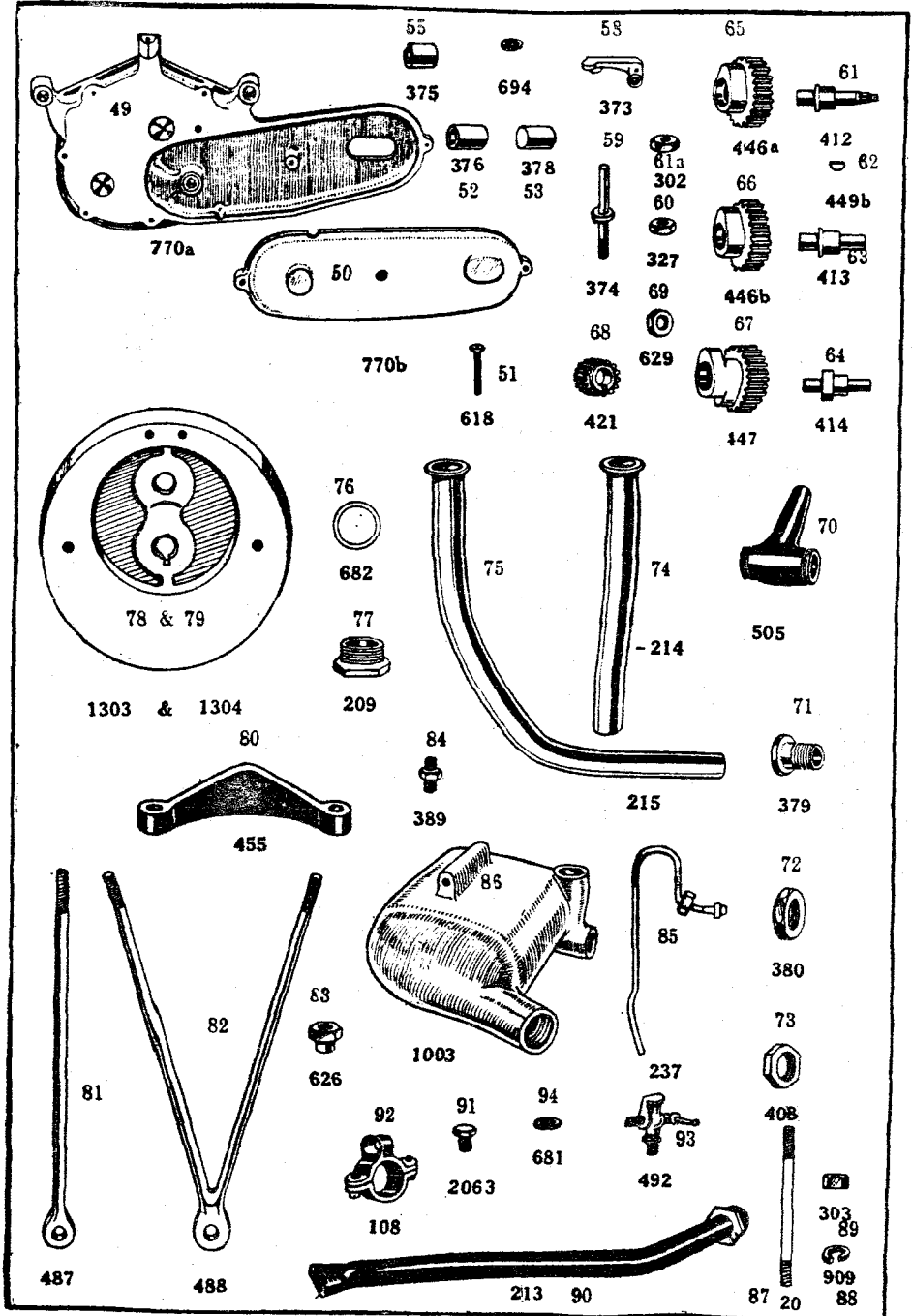
A.J.S ENGINE PARTS—Continued.

Serial No.	Part No.	Description of Part.	6 h.p. 1915-20			7 h.p. 1921-24		
			Price			Price		
			£	s.	d.	£	s.	d.
49	770A	Timing Cover, complete with Bushes	1	2	0	17	9	
50	770B	Magneto Chain Cover		9	0	7	0	
51	618	Screws for Timing Cover and Magneto Chain Cover		2			2	
52	376	Front Exhaust Timing Cover Bush		7			6	
53	*378A	Double Inlet Cam Timing Cover Blind Bush		7			6	
54	*378B	Back Exhaust Timing Cover Blind Bush		7			6	
55	*375	Crankcase Timing Case Bush for Front Exhaust Camshaft		7			6	
56	*375A	Crankcase Timing Case Bush for Double Inlet Camshaft		7			6	
57	*375B	Crankcase Timing Case Bush for Back Exhaust Camshaft		7			6	
58	373	Front Inlet Valve Toggle	4	0		4	0	
59	374	Front Inlet Valve Toggle Spindle	1	4		1	4	
60	327	Front Inlet Valve Toggle Lock Nut		2			2	
61	412	Front Exhaust Camshaft	1915-18	4	9	3	6	3
61A	302	Lock Nut for Sprocket on end of Front Exhaust Camshaft		3			3	
62	449B	Front Exhaust Camshaft Key		3			3	
63	413	Back Exhaust Camshaft	1915-18	3	0	2	0	2
64	414	Double Inlet Camshaft		3	0	2	0	2
65	446A	Front Exhaust Cam Wheel		10	3	7	6	7
66	446B	Back Exhaust Cam Wheel		10	3	7	6	7
67	447	Double Inlet Cam Wheel		14	0	10	0	10
68	421	Small Timing Pinion		3	7	2	6	2
69	629	Small Timing Pinion Lock Nut			4		4	
70	505	Induction Pipe	1915-18	9	6	6	0	6
71	379	Flanged Inlet Connection		1	3	1	3	
72	390	Induction Pipe Nut		1	0	1	0	
73	408	Inlet Connection Lock Nut			9		9	
74	214	Front Exhaust Pipe	7 h.p. 1921	3	9	3	9	3
75	215	Back Exhaust Pipe		6	0	6	0	5
76	682	Copper Asbestos Washer, for Exhaust Pipes			2		2	
77	209	Exhaust Pipe Cylinder Lock Nut	7 h.p. 1921	1	0	1	0	3
78	1303	Flywheel, Timing Side		1	0	0	16	6
79	1304	Flywheel, Driving Side		1	0	0	16	6
80	455	Cylinder Bridge Piece			5		5	0
81	487	Single Holding-down Bolt, for Cylinder Bridge		3	3	3	3	3
82	488	Double Holding-down Bolt, for Cylinder Bridge		13	6	13	6	13
83	626	Holding Down Bolt Nut			3		3	
84	389	Oil Release Pipe Union in Timing Cover		1	0	1	0	1
85	237	Oil Release Pipe, with Nipple and Nut		2	3	2	3	2
86	1003	Silencer		1	5	0	11	6
87	20	Silencer Bolt			4		4	
88	909A	Silencer Bolt Washer		1			1	
89	303	Silencer Bolt Nut		2			2	
90	213	Silencer Tail Pipe		4	6	3	9	3
91	2063	Pin for attaching Magneto Shield to front of Silencer		3			3	
22	108	Tail Pipe Clip under Footboard		1	8	1	8	1
93	492	Compression Tap		2	6	2	6	2
94	681	Compression Tap Washer			1		1	
	363	Oil Release Pipe Union, in Timing Case (this is a similar Union to No. 389, only smaller)			9		9	

* Nos 378A and 378B are both Blind Bushes, but the letters A and B are used to denote which particular Bush is required when ordering.

The same applies in the case of Nos 375, 375A and 375B, which are all Open Bushes.

11
A.J.S. ENGINE PARTS.

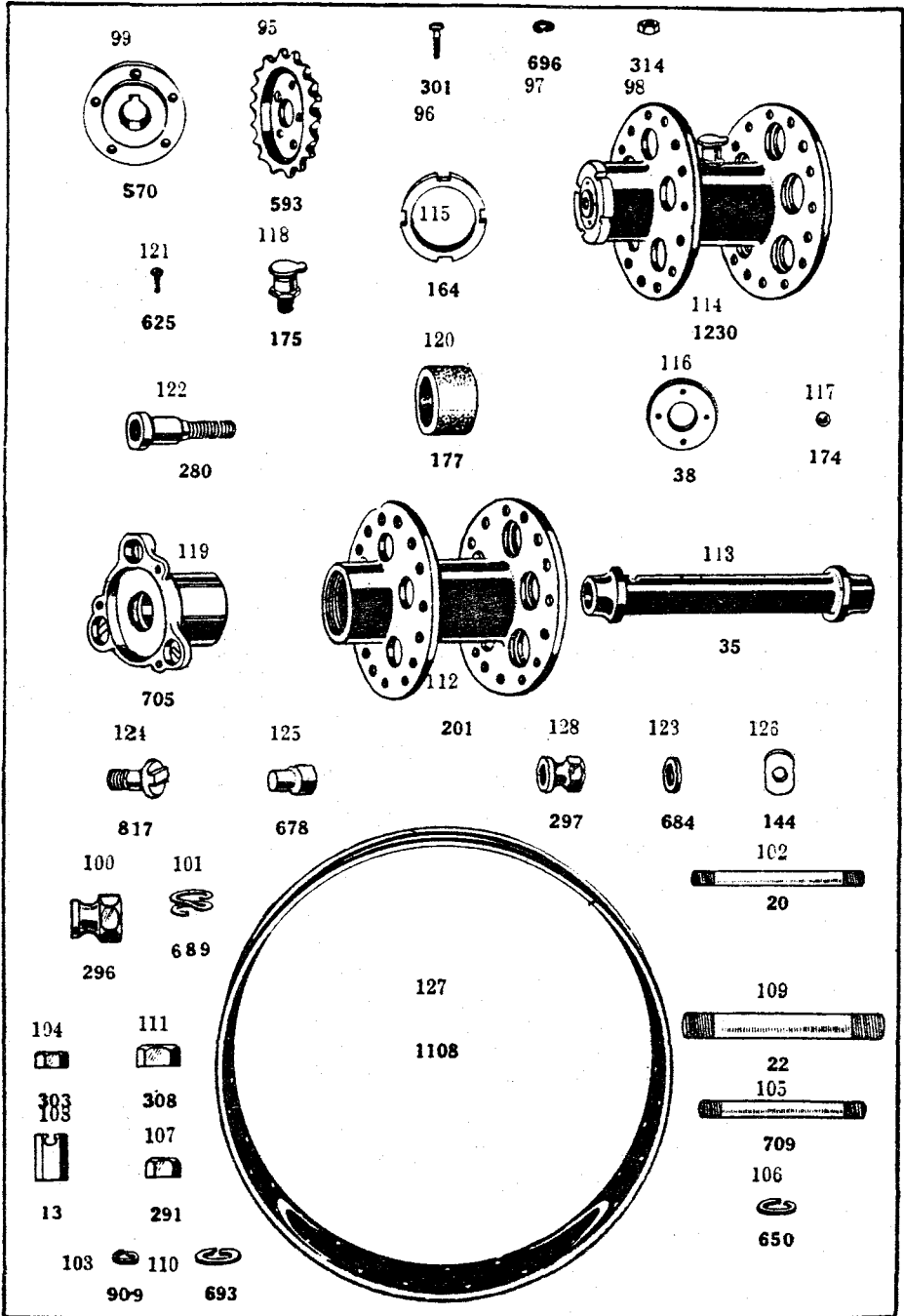


A.J.S. Engine Parts—Continued, Hub, Rim, &c.

Serial No.	Part No.	Description of Part.	6 h.p. 1915-20 Price.		
			£	s.	d.
95	593	Engine Sprocket	9 6
93	301	Engine Sprocket Pin, for Bolting Sprocket to sleeve	3
97	696	Engine Sprocket Pin Washer	1
98	314	Engine Sprocket Pin Nut	1
99	570	Engine Sprocket Sleeve	2 6
100	296	Engine Sprocket Sleeve Lock Nut	6
101	689	Engine Sprocket Sleeve Nut Spring Washer	2
			6 h.p. 1915		
			7 h.p. 1924		
102	20	$5/16 \times 3/16$ Engine Plate Bolt	4
103	909	$5/16$ Washer for Engine Plate Bolt	1
104	303	$5/16$ Nut for Engine Plate Bolt	2
105	709	$3/8 \times 3/4$ Top Crankcase Bolt	4
106	650	$3/8$ Single Spring Washer, for Top Crankcase Bolt	1
107	291	$3/8$ Nut for Top Crankcase Bolt	2
108	13	Brake Cable Nut	5
109	22	$1/2 \times 4/8$ Engine Plate Bolt	5
110	693	$1/2$ Single Spring Washer, for Engine Bolt	1
111	308	$1/2$ Nut for Engine Bolt	3
112	201	Hub Shell, with Fixed Cup rolled in	1 9 6
113	85	Hub Hollow Spindle	5 6
114	1230	Hub, complete, less Spindle and Dust Cap	2 0 0
115	164	Hub Lock Ring	1 0
116	38	Hub Cup. (Adjustable)	2 9
	39	Hub Cup (Fixed)	2 6
117	174	Steel Balls for Hub (Set of 22)	1 0
118	175	Hub Lubricator	6
119	705	Drum Centre	4 6
120	177	Drum Centre Felt Washer	4
121	625	Drum Centre Pin	2
122	280	Drum Centre Dummy Spindle only	1 6
123	684	Dummy Spindle Washer	2
124	817	Threaded Driving Studs	4
125	678	Plain Driving Studs	2
123	144	Anchor Plate Nut	3
127	1108	Rim only (drilled)	8 6
128	297	Back Wheel Nut	6

The 7 h.p. 1921-24 Engine Sprocket, etc., is priced and illustrated on pages 36 and 37.

A.J.S. ENGINE PARTS—Continued, HUB, RIM, &c.

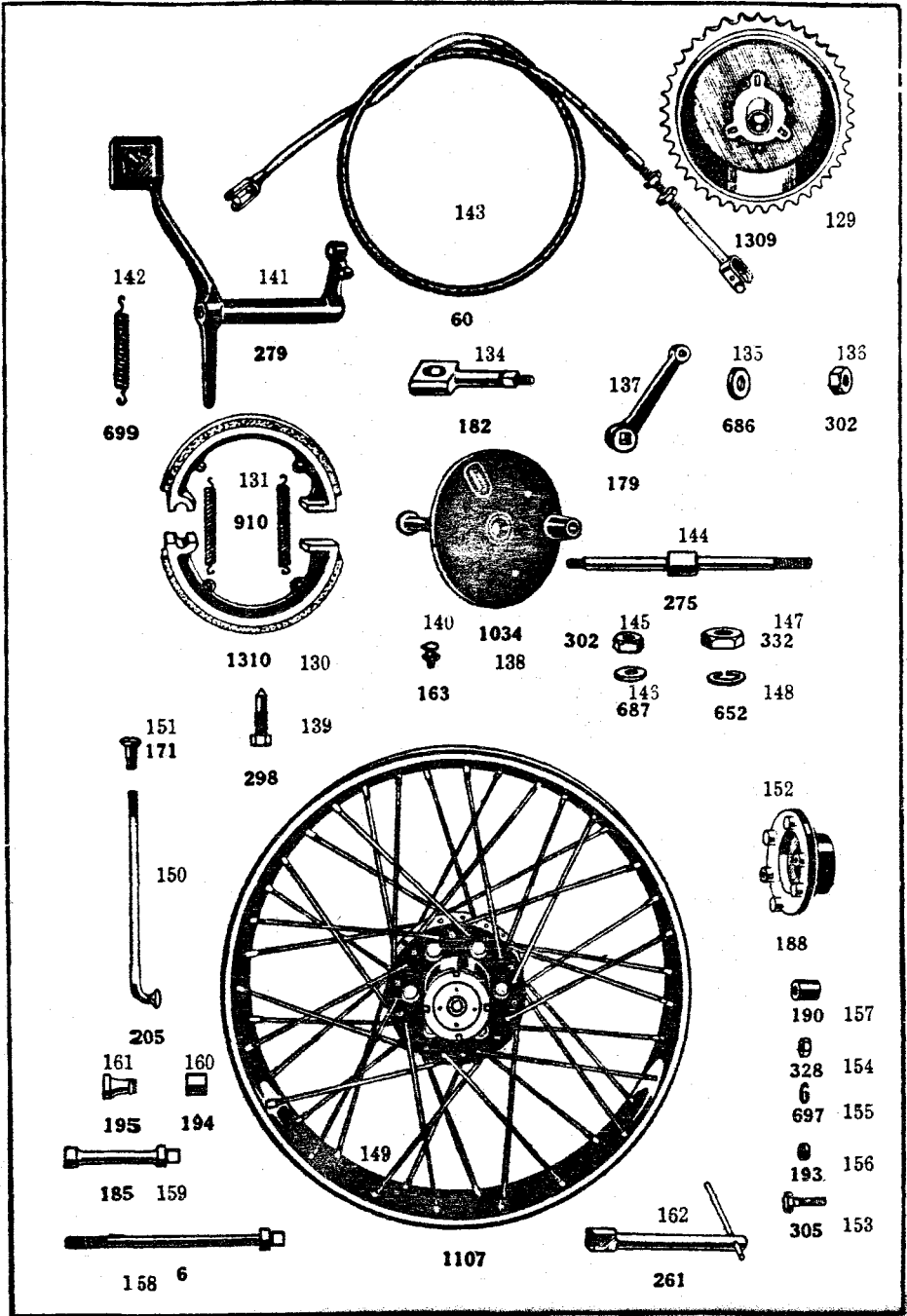


A.J.S. Rear Brake Parts, Wheels, etc.

Serial No	Part No.	Description of Part.	6 h.p. 1915		7 h.p. 1924			
			Price.		Price.			
			£	s.	d.	£	s.	d.
129	1309	Combined Brake Drum and Sprocket, with Centre	...	2	5	0		
130	1310	Brake Shoes, with lining	11	0			
	*1310A	Brake Shoes, without lining	6	0			
	*1310B	Brake Lining only, with Rivets	4	9			
131	910	Brake Shoe Expander Springs	each		3		
134	182	Brake Shoe Expander Spindle		3	0		
135	686	Brake Shoe Expander Spindle Washer			1		
136	302	Brake Shoe Expander Spindle Nut			2		
137	179	Brake Shoe Expander Spindle Lever		2	3		
138	1034	Brake Anchor Plate...		11	0		
139	293	Brake Anchor Plate Pin			6		
140	163	Brake Anchor Plate Spindle Lubricator			3		
141	279	Foot Brake Pedal		7	2		
142	699	Foot Brake Pedal Return Spring			4		
143	60	Brake Cable, complete	6 h.p. 1915-20	6	6		
144	275	Foot Brake Pedal Spindle		1	6		
145	302	Foot Brake Pedal Spindle Small Nut			2		
146	687	Foot Brake Pedal Spindle Small Washer			1		
147	332	Foot Brake Pedal Spindle Large Nut			3		
148	652	Foot Brake Pedal Spindle Large Washer			2		
149	1107	Wheel, complete, with Spindle and Dust Cap		3	3	0	
150	205	Wheel Spokes	per set of 40	5	0		
151	171	Wheel Spoke Nipples	per set of 40	3	0		
152	188	Wheel Hub Dust Cap, for Front and Spare Wheels		3	3		
153	305	Hub Dust Cap Bolt			2		
154	328	Hub Dust Cap Bolt Nut			1		
155	697	Hub Dust Cap Bolt Washer			1		
156	193	Hub Dust Cap Distance Ring			1		
157	190	Distance Piece, for Front and Sidecar Wheels			4		
158	6	Hub Centre Pin		2	6		
159	185	Hub Sleeve Nuts, for Detachable Wheels		2	6		
160	194	Inside Distance Piece, for Back Wheel. Plain			4		
161	195	Outside Distance Piece, for Back Wheel. Shaped			5		
162	261	Detachable Wheel Spanner		2	6		

*Not Illustrated separately.

A.J.S. REAR BRAKE PARTS. WHEELS, Etc.



A.J.S. Countershaft 3-Speed Gear Parts.

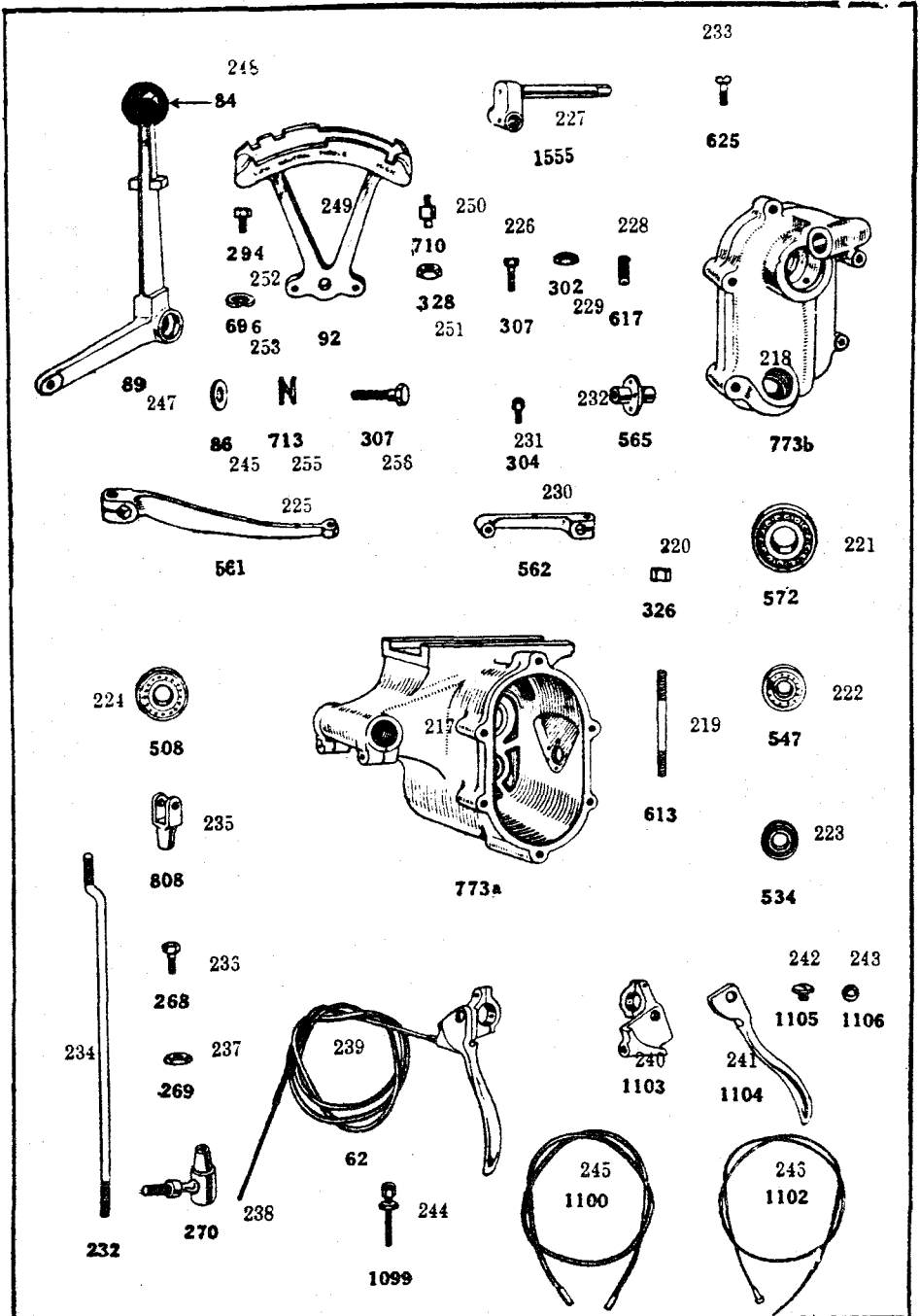
Serial No.	Part No.	Description of Part.	Price.	
			1915-18	6 h.p. 1915 7 h.p. 1924
163	290	Gear Box, complete with Kick-starter, Clutch, etc.	£15 5 0	18 5 0
164	612	Gear Box Cover Pins	-	3
165	703	Spring Washers, for Gear Box Cover Pins	-	2
166	5	Studs holding Gear Box to Bottom Bracket	-	4
167	292	Gear Box Stud Nut	-	3
168	685	Gear Box Stud Washer	-	1
169	591	Clutch Sprocket with Race	-	19 0
170	590	Clutch Floating Plate	-	6 0
171	517	Clutch Floating Plate Rollers	-	5
172	592	Clutch Dished Plate	-	4 3
173	588	Clutch Sliding Plate	-	6 6
174	604	Clutch Sliding Plate Key	-	9
175	538	Clutch Short Push Rod	-	6
176	539	Clutch Long Push Rod	-	1 0
177	174	Ball in Clutch Operating Shaft for Push Rod	-	1
178	515	Clutch Fixed Plate Lock Nut	-	3
179	712	Clutch Fixed Plate Spring	-	1
180	510	Clutch Fixed Plate Screw	-	1
181	583	Clutch Spring	-	1 2
182	541	Clutch Spring Adjusting Nut	-	2 0
183	605	Kick-starter Quadrant, with Shaft fitted	-	10 6
184	571	Kick-starter Shaft only	-	1 0
185	603	Kick-starter Tube	-	1 6
186	543	Kick-starter Tube Bush	-	2
187	305	Pin Holding Kick-starter Tube in Split End of Gear Box- Extension	-	2
188	503	Kick-starter Spring	-	8
189	325	Kick-starter Spring Retaining Screw	-	2
190	606	Kick-starter Crank	-	5 0
191	542	Kick-starter Crank Pin and Nut	-	4
192	560	Kick-starter Pedal	-	2 0
193	519	Kick-starter Pedal Nut	-	3
194	568	Kick-starter Ratchet Wheel	-	4 6
195	569	Kick-starter Ratchet Plate	-	3 0
196	518	Kick-starter Ratchet Spring	-	8
			4 h.p. 1915-16	
197	585	Gear Box Main Shaft	£1 0 0	15 6
193	584	High Speed Dog Wheel, less Bush	1 1 0	15 6
199	544	High Speed Dog Wheel Bush	2 6	2 6
200	567	Low Speed Dog Wheel	7 6	5 6
201	566	Gear Box Sliding Sleeve	17 6	12 0
			6h.p. 1915-16	
202	563A	Gear Shifter Arch and Arm, complete	10 9 -	8 3
203	587A	Layshaft, complete, with wheels	1 14 6	1 5 0
204	587	Layshaft only	8 6	6 0
205	1013	Large Layshaft Gear Wheel	11 0	8 0
206	1014	Middle Layshaft Gear Wheel	8 6	6 0
207	1015	Small Layshaft Gear Wheel	6 6	4 6
208	449A	Key for Layshaft Gear Wheels	-	3
209	586	Gear Box Sprocket	-	8 0
210	545	Gear Box Sprocket Lock Nut	-	4
211	546	Gear Box Sprocket Locking Plate	-	2
212	316	Pin for Locking Plate	-	2
213	537	Thrust Washer	-	6
214	536	Thrust Washer Lock Nut	-	9
215	502	Oil Plug for Gear Box	-	9
213	589	Clutch Fixed Plate...	-	10 0

A.J.S. Gear Box Parts, Change Speed Lever, ETC.

Serial No.	Part No.	Description of Part.			6 h.p. 1915		7 h.p. 1924		
			£	s.	d.	£	s.	d.	
217	773A	Gear Box Shell, less Fittings ...	6 h.p. 1915-18	£2	0	0	1	12	6
218	773B	Gear Box Cover, less Fittings ...	6 h.p. 1915-18	17	6		13	6	
219	613	Gear Box Cover Long Stud			4	
220	326	Gear Box Cover Long Stud Nut			3	
221	572	Large Gear Box Bearing	12	3		
222	547	Medium Gear Box Bearing	6	9		
223	534	Small Gear Box Bearing	7	3		
224	508	Clutch Sprocket Bearing	5	3		
225	561	Clutch Operating Lever at Side of Gear Box	4	0		
226	307	Pin for Split End of Clutch Operating Lever			2	
227	1555	Clutch Operating Shaft at Top of Cover	5	0		
228	617	Adjusting Screw in Operating Shaft for taking up Slack in Bowden Cable			3	
229	302	Adjusting Screw Lock Nut			2	
230	562	Gear Shifter Lever Outside Gear Box	3	0		
231	304	Pin for Split End of Gear Shifter Lever			2	
232	565	Gear Shifter Bush	2	3		
333	625	Screws for Gear Shifter Bush			2	
234	232	Change Speed Rod between Gate Change and Gear Box	1	6		
235	808	Yoke End for Change Speed Rod	0	9		
236	268	Yoke End Pin			2	
237	269	Lock Nut for Yoke End Pin			2	
238	270	Ball Joint for Yoke End	1	4		
239	62	Clutch Control Lever on Handlebar, complete with Cable	15	11		
240	1103	Clutch Control Lever on Handlebar, Clip only			6	0
241	1104	Clutch Lever only	5	0		
242	1105	Large Head Pin for for Clutch Lever			4	
243	1106	Washer for Clutch Lever Pin			1	
244	1099	Bowden Cable Adjuster			7	
245	1100	Bowden Clutch Cable, Outer Casing	3	3		
246	1102	Bowden Clutch Cable Inner Wire			1	1
247	89	Change Speed Lever, with Knob	14	6		
248	84	Change Speed Lever, Knob only			9	
249	92	Change Speed Quadrant, complete	14	6		
	*92A	Back portion of Change Speed Quadrant	10	6		
	*92B	Front Portion of Change Speed Quadrant	4	0		
250	710	Quadrant Stud			6	
251	328	Nut for Quadrant Stud			2	
252	294	Pin for Fixing Bottom Ears of Quadrant to Frame Lug			3	
253	696	Washer for Quadrant Fixing Pin			1	
254	86	Plain Washer for Change Speed Lever			1	
255	713	Double Spring Washer for Recess in Change Speed Lever			2	
256	307	Pin for Change Speed Lever			3	

*Not shown separately.

A.J.S. GEAR BOX PARTS, CHANGE SPEED LEVER, Etc.



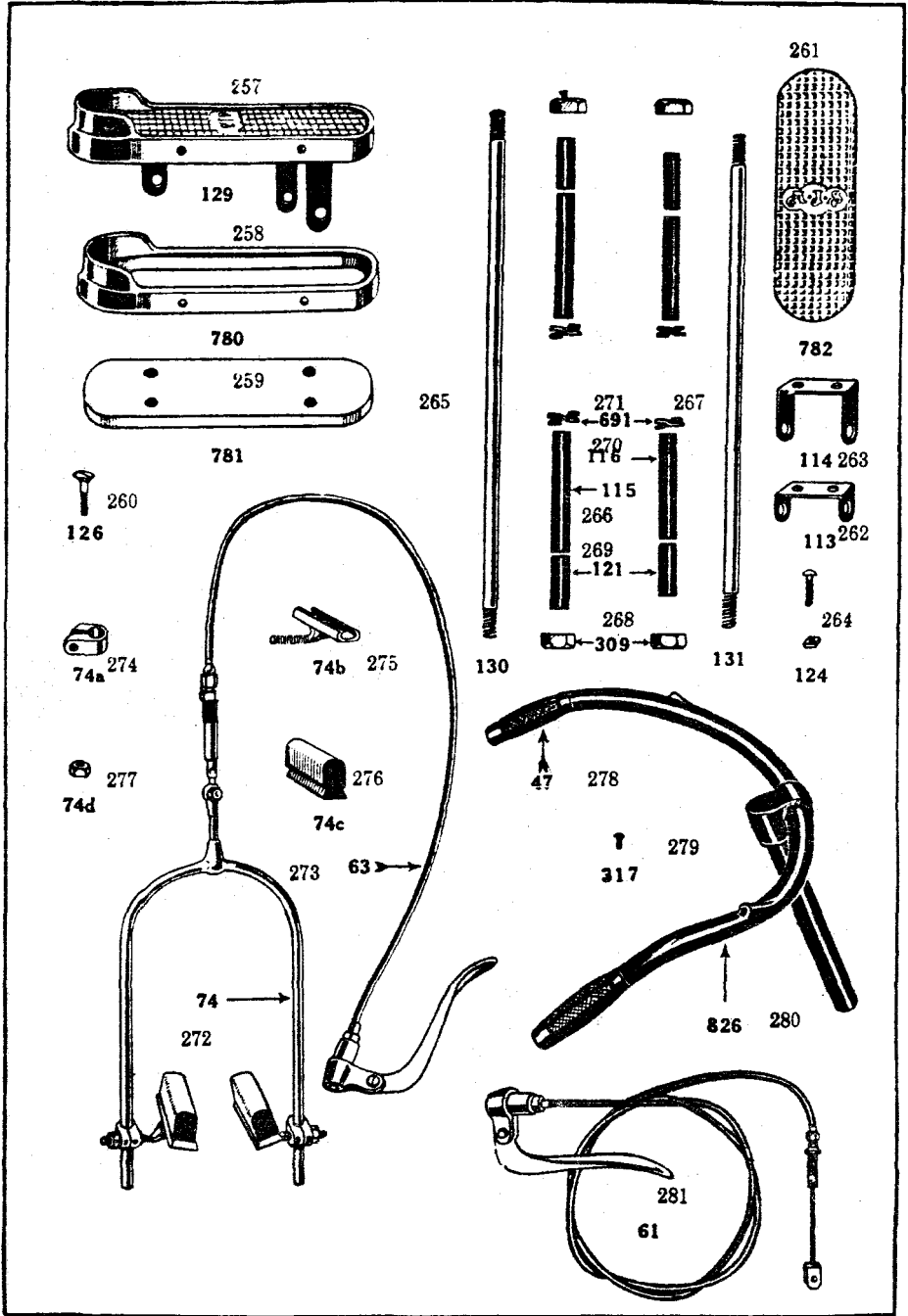
A.J.S. Footboard Parts, Front Brake and Handle-bar.

Serial No.	Part No.	Description of Part.			6 h.p. 1915			7 h.p. 1924		
					Price			Price		
					£	s.	d.	£	s.	d.
257	129	Footboards, complete ...	6 h.p. 1915-18	£1 5 6	1	4	6			
253	780	Footboard Aluminium Beading ...	Pair. 1915-18		6	0				
259	*781	Footboard Wood Base each		1	3				
260	126	Footboard Wood Screws			2				
261	782	Rubber Matting ...	Pair. 1915-18 5/-		9	6				
262	113	Short Footboard Bracket			9				
263	114	Long Footboard Bracket			9				
264	124	Footboard Bracket Bolt and Nut			2				
265	130	Front Footboard Rod, without Nuts		1	6				
266	115	Long Distance Tube, for Front Footboard Rod			7				
267	131	Rear Footboard Rod, without Nuts		1	6				
268	309	Lock Nuts for Footboard Rods			3				
269	121	Short Distance Tube for Footboard Rods			7				
270	116	Long Distance Tube for Footboard Rods			8				
271	691	Double Spring Washers for Footboard Rods			2				
272	74	Front Rim Brake, complete		1	2	3			
273	68	Front Brake Cable, complete with Lever, but minus Brake Arch, Shoes, etc.		11	3				
274	74A	Stirrup Clip for Front Brake Shoe ...	Pair		1	6				
275	74B	Front Brake Shoes...		3	0				
276	74C	Front Brake Blocks		1	0				
277	74D	Nuts for Brake Shoes			2				
278	47	Handlebar Grips only		1	6				
279	317	Small Screw for Fastening Control Levers to Handlebar ...				1				
280	826	Handlebar with Grips1915-20 only		1	2	6			
	827	Handlebar with Hooked Grips 1921-24		1	5	0			
	828	Handlebar with Hooked Grips. (Semi T.T. Type)		1	5	0			
281	61	Exhaust Lifter, complete with Cable, etc.1915-20 only		10	11				
	57	Exhaust Lifter Lever, complete (without Cable) 1915-20		5	9				

*This is common to both patterns.

7 h.p. 1921-24 Exhaust Lifter Lever is priced and illustrated on pages 36 and 37.

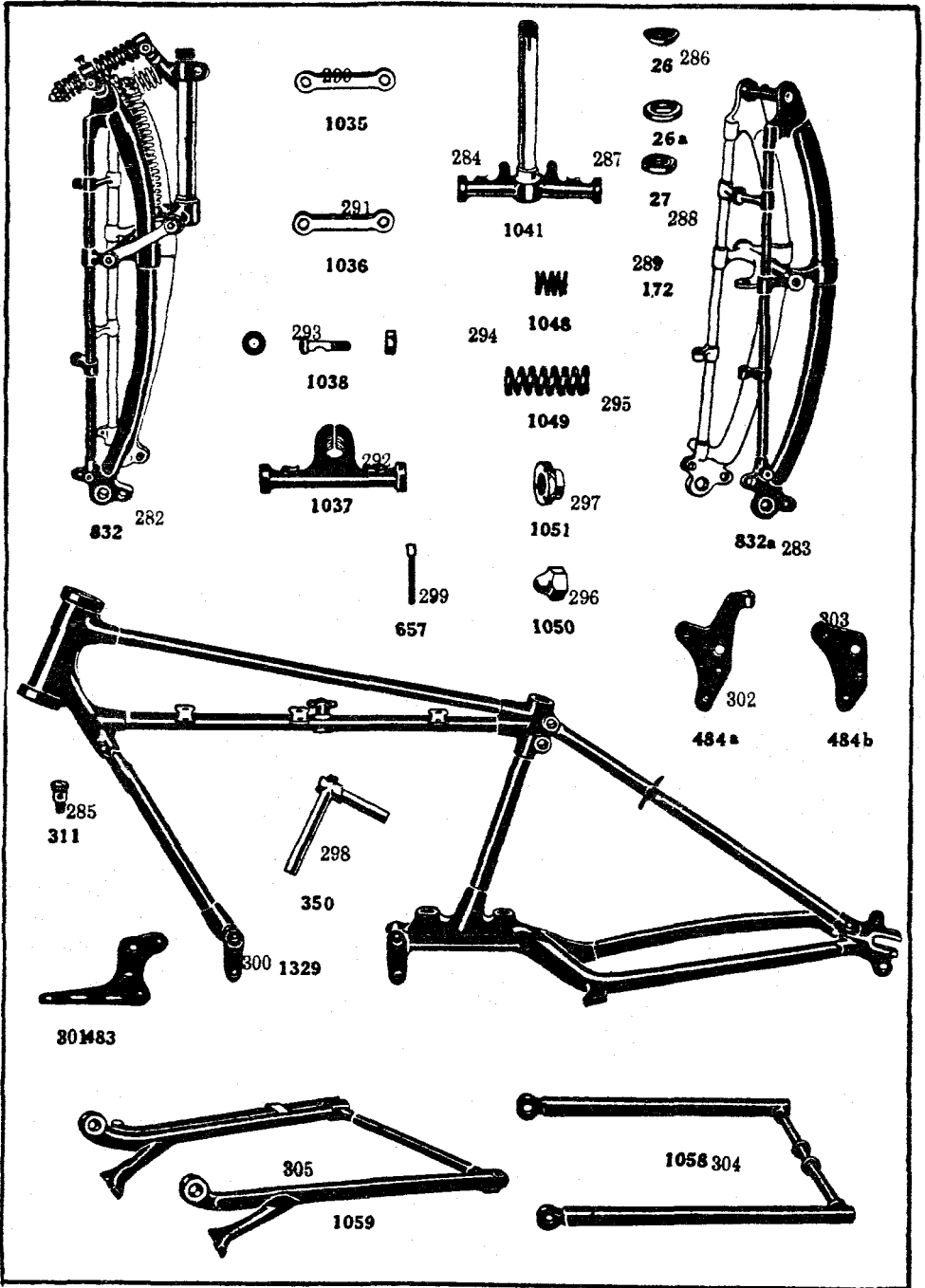
A.J.S. FOOTBOARD PARTS FRONT BRAKES & HANDLE-BAR.



A.J.S. Frame, Spring Forks, etc.

Serial No.	Part No.	Description of Part.	Price		
			2½ h.p. 1915-16	4 h.p. 1915-16	6 h.p. 1915 7 h.p. 1924
			£ s. d.	£ s. d.	£ s. d.
282	832	Front Forks, complete "Brampton" ...	2 19 0	4 0 8	4 13 9
283	832A	Front Fork Girder only ...	1 16 10	2 8 9	2 17 10
284	1041	Steering Stem and Crown Lug ...	7 3	9 10	11 8
285	311	Ball Head Lubricator ...	5	6	6
	312	Grease Cup Lubricators. (1924 Forks) ...			4
286	26	Frame Head Race. Top ...	1 2	1 3	1 7
287	26A	Frame Head Race. Bottom ...	1 2	1 3	1 7
288	27	Fork Stem Ball Race. Bottom ...	1 2	1 3	1 7
289	172	$\frac{3}{16}$ Steel Balls for Races Per Set 54	1 0	1 3	1 3
290	1035	Left-hand Front Fork Link, Screwed Left-hand ...	7	1 2	1 3
291	1036	Right-hand Front Fork Link, Screwed Right-hand ...	7	1 2	1 3
292	1037	Spring Fork Clip ...	2 6	3 9	4 1
293	1038	Pin Nut and Washer, for Spring Fork Clip	4	6	6
294	1048	Front Buffer Spring ...	5	7	7
295	1049	Back Buffer Spring ...	8	10	10
296	1050	Lock Nut, for Buffer Spring ...	4	6	6
297	1051	Thrust Nut, for Buffer Spring ...	4	5	5
298	350	Seat Pillar ...			5 0
299	657	Adjusting Pin for Back Wheel ...			3
300	1329	Frame, complete 6 h.p. 1915-20 £14 0 0			12 0 0
301	483	Front Engine Plates ...			3 3
302	484A	Back Engine Plate Left-hand Side ...			3 6
303	484B	Back Engine Plate Right-hand Side ...			2 3
304	1058	Front Wheel Stand ...			14 6
305	1059	Back Wheel Stand 6 h.p. 1915-16 £1 15 0			1 17 6
	1093	Back Wheel Stand Arm Spring Clip ...			6

A.J.S. FRAME, SPRING FORKS, Etc.

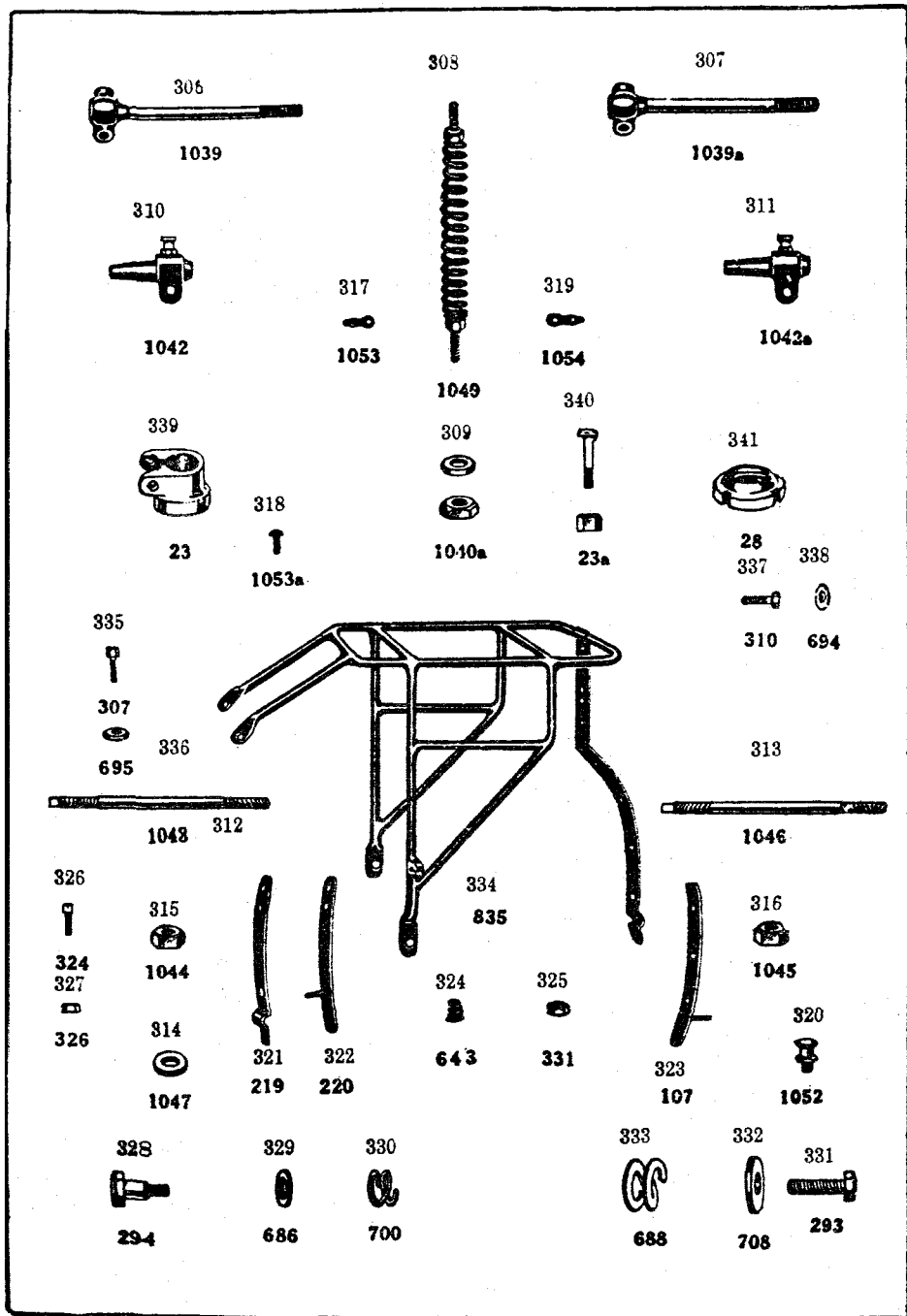


A.J.S. Spring Fork Parts—Continued

Carrier, etc.

Serial No.	Part No.	Description of Part.	Price	
			6 h.p. 1915	7 h.p. 1924
			£	s. d.
306	1039	Buffer T Piece. Right-hand... ..	2	3
307	1039A	Buffer T Piece. Left-hand	2	3
308	1040	Vertical Spring	3	8
309	1040A	Vertical Spring Nut and Washer		2
310	1042	Buffer Cross Piece. Right-hand	1	9
311	1042A	Buffer Cross Piece. Left-hand	1	9
312	1043	Top Rocker Bar, Square End Screwed Left-hand		6
313	1046	Main Rocker Bar, Square End Screwed Right-hand		6
314	1047	Rocker Bar Washers		1
315	1044	Rocker Bar Lock Nuts. Left-hand		3
316	1045	Rocker Bar Lock Nuts. Right-hand		3
317	1053	Small Lubricator Hole Covers 4d. doz.		1
318	1053A	Pins for Lubricator Hole Cover 10d. doz.		1
319	1054	Large Lubricator Hole Covers 8d. doz.		1
320	1052	Cross Piece Lubricator		8
321	219	Front Stand Clip. Outside Strap	1	0
322	220	Front Stand Clip. Inside Strap	1	0
323	107	Back Stand Clip. Inside Strap	1	3
324	643	Small Spiral Spring, for Back Stand Clip Bolt		1
325	331	Nut for Back Stand Clip Bolt		1
326	324	Small Pin, holding Stand Clip Strap to Mudguards		1
327	326	Nut for Stand Clip Small Pin		1
328	294	Front Stand Pin		4
329	686	Washer for Front Stand Pin... ..		1
330	700	Spring Washer for Front Stand Pin		1
331	293	Back Stand Pin		3
332	708	Plain Washer for Back Stand Pin		1
333	688	Recess Washer for Back Stand Pin		1
334	835	Back Carrier, with outer half of Stand Clip Strap fixed on, 1915-22	2	0 0
	836	Back Carrier, with outer half of Stand Clip Strap fixed on, 1923-24	2	7 9
335	307	Carrier Attachment Pin		3
336	695	Washer for Carrier Attachment Pin		1
337	310	Fixing Pin, for Front Mudguard Stay		3
338	694	Washer, for Front Mudguard Stay Pin		1
339	23	Steering Collar, with Race Fixed	5	10
340	23A	Steering Collar Pin and Nut		3
341	28	Steering Collar Lock Nut		1 0

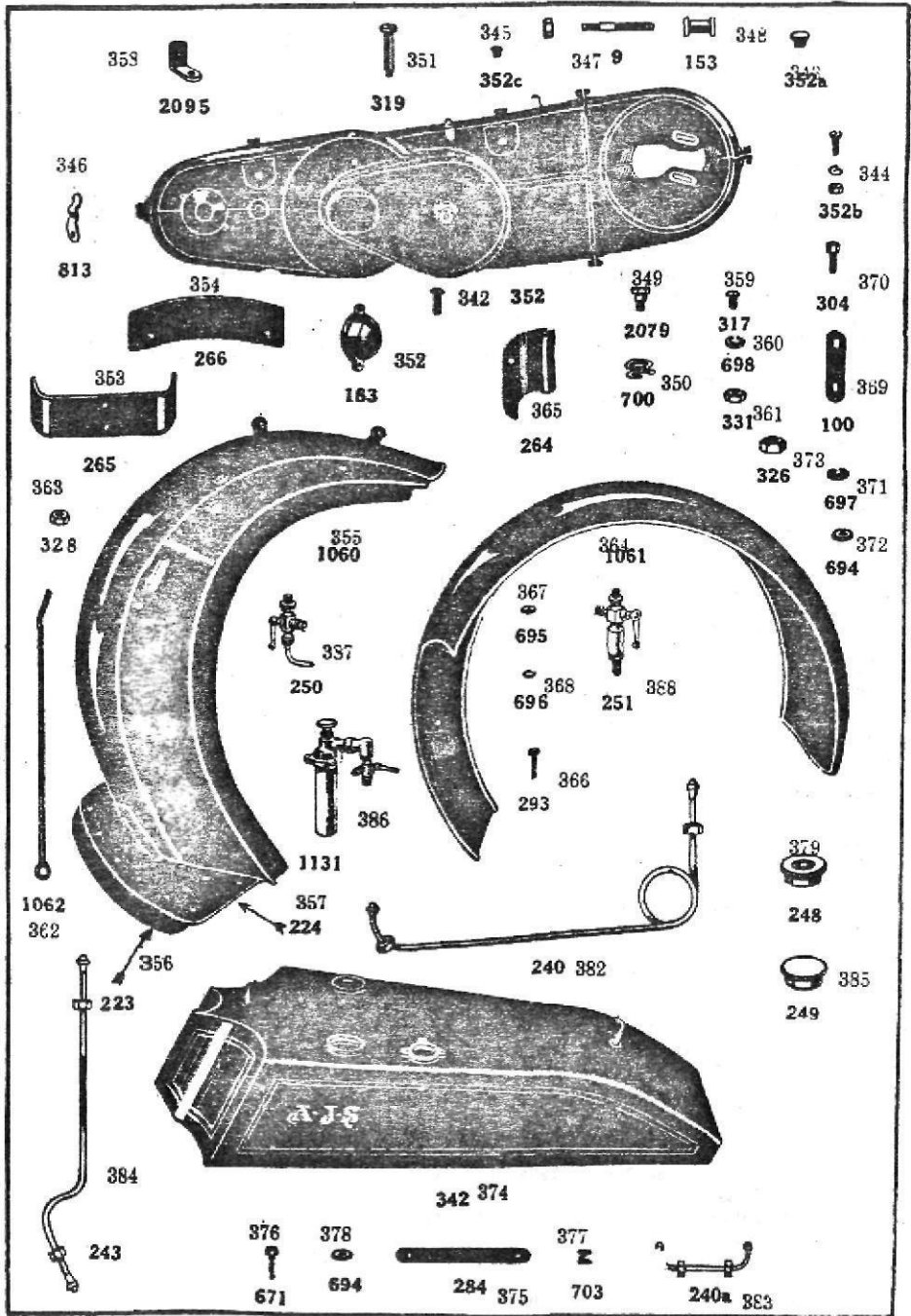
A.J.S. SPRING FORK PARTS—Continued, CARRIER, Etc.



A.J.S Chaincase, Mudguards, Tank and Fittings.

Serial No.	Part No.	Description of Part.	Price	
			6 h.p. 1915	7 h.p. 1924
			£	s. d.
342	352	Chain Case, complete	5	10 0
343	352A	Oil Filter Cap for Chain Case		4
344	352B	Set Pin and Washer and Nut, for Chain Case		4
345	352C	Short Large Headed Screw, for fixing Front Detachable Cover of Chain Case		1
	368	Clutch Inspection Cover on Chaincase	15	6
346	813	Back Brake Cable Clip on Chain Case (7 h.p. 1921-4 Rod Clips, 9d.)		3
347	9	Chain Case Distance Bolt and Nut		10
348	153	Distance Bolt Piece		10
349	2079	Chain Case Retaining Pin		4
350	700	Spring Washer for Retaining Pin		2
351	319	Chain Cover Pin		4
352	183	Engine Sprocket Cover on front of Chain Case	1	6
	184	Engine Sprocket Cover	7 h.p. 1922-3-4	5 6
353	265	Back Number Plate		1 3
354	266	Front Number Plate		1 3
355	1060	Front Mudguard, complete with Sidewings, Splashers, etc. (less Stays)	1	12 6
	1064	Front Mudguard complete (less Stays) 1922-4 type	1	7 6
357	224	Metal Splasher for Front Mudguard 6 h.p. 1915-1921		2 3
	225	Metal Splasher for Front Mudguard 7 h.p. 1922-3-4		4 6
358	2095	Angle Plate for Supporting Metal Splasher		4
359	317	$\frac{1}{8}$ -in. Washers for attaching Sidewings, etc. to Front Mudguard		1
360	698	$\frac{3}{8}$ -in. Nuts for attaching Sidewings to Front Mudguard		1
361	331	$\frac{3}{8}$ -in. Nuts for attaching Sidewings to Front Mudguard		1
362	1062	Front Mudguard Stay 7 h.p. 1921-4	1	9
363	328	Nut for Front Mudguard Stay		2
364	1061	Back Mudguard ... 1915-22	10	6
	1057	Back Mudguard ... 1923-4	16	6
365	264	Extension Piece for Back Mudguard		9
366	293	Set Pin, holding Back Mudguard to Frame		3
367	695	Plain Washer for Mudguard Set Pin		1
368	696	Spring Washer, for Mudguard Set Pin		1
369	100	Bridge Plates for Back and Front Mudguards		4
370	304	Bridge Plate Pin		4
371	697	Single Spring Washer for Bridge Plate Pin		1
372	694	Plain Washer for Bridge Plate Pin		1
373	326	Nut for Bridge Plate Pin		2
374	342	Tank, without Fittings 1915-18 Patterns	£4 10 0	4 0 0
	343	Tank, without Fittings (with Well for Lighting Set Switchbox)	4 0 0	4 0 0
375	284	Felt Pad between Tank and Supports on Frame		6
376	671	Pin for Tank Supports		2
377	703	Spring Washer for Tank Support Pin		1
378	694	Plain Washer for Tank Support Pin		1
379	248	Tank Petrol Filler Cap, with Anti-splasher		1 7
382	240	Petrol Pipe		5 0
383	240A	Petrol Coupling Pipe at Rear of Tank		3 0
384	243	Oil Pipe		5 0
385	249	Oil Filler Cap on Tank, with Anti-splasher		1 7
386	1131	Oil Pump, complete		10 0
387	250	Priming Tap, with Union and Pipe 1915-22 type	4-	3 6
388	251	Petrol Tap		3 6
	250A	Priming Pipe, with Union only		1 0

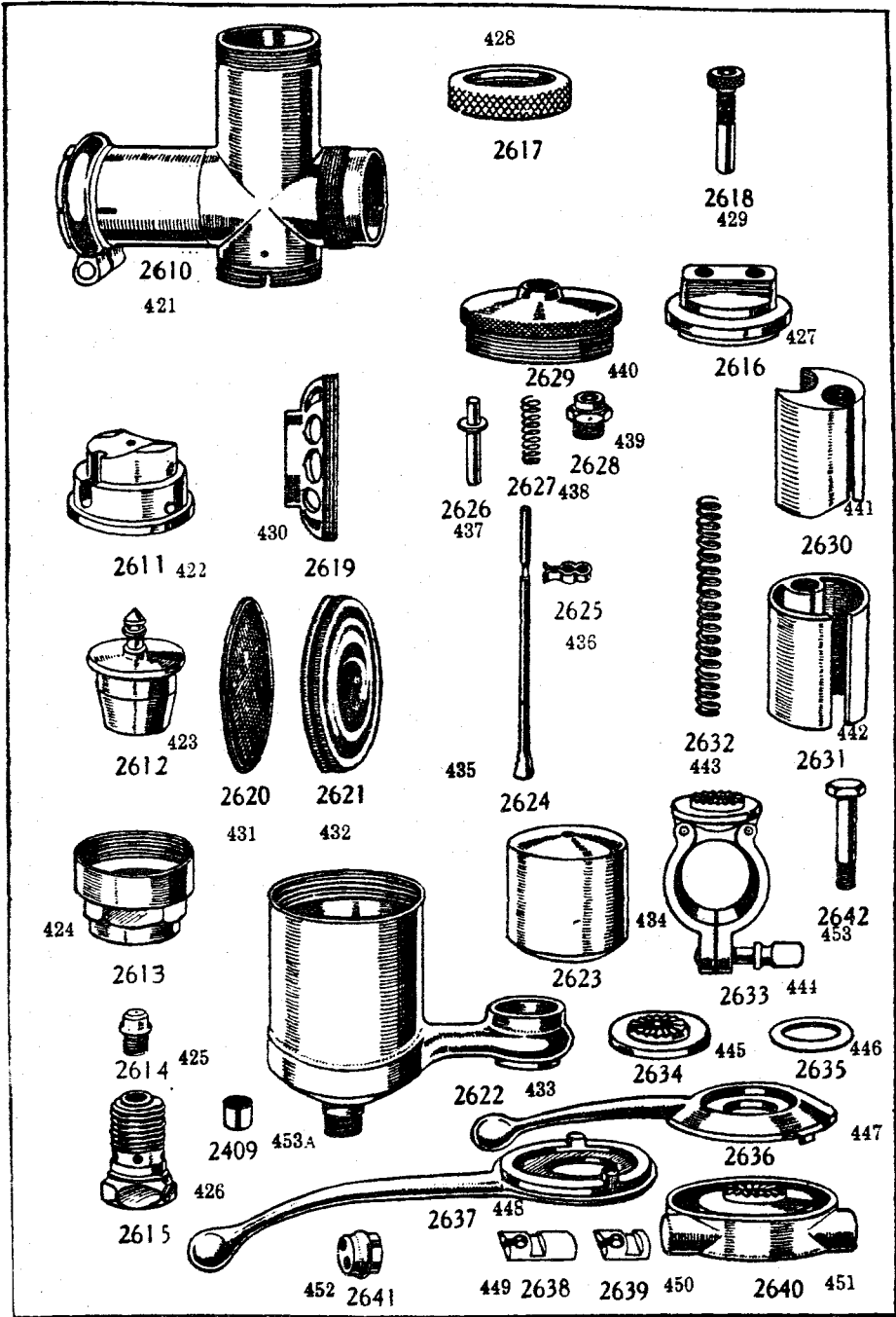
A.J.S. CHAIN CASE, MUDGUARDS, TANK & FITTINGS.



Two-lever Carburetter, 1921-4 Type.

Serial No.	Part No.	Description of Part.	Price		
			£	s.	d.
	2416	Carburetter, complete with Controls (not illustrated) ...	3	1	0
	2416A	Carburetter, complete, without Controls " " ...	2	9	0
421	2610	Carburetter Body and Mixing Chamber, with Outlet Clip ...	10	3	
422	2611	Adapter	2	2	
423	2612	Vaporiser	3	0	
424	2613	Mixing Chamber Union Nut	1	6	
425	2614	Jet		5	
426	2615	Jet Holder	1	9	
427	2616	Carburetter Body Cap	1	9	
428	2617	Carburetter Body Cap Ring	1	9	
429	2618	Cable Adjusters for Air and Throttle Valves		5	
430	2619	Air Intake	1	9	
431	2620	Air Intake Gauze		10	
432	2621	Air Intake Cap	1	9	
433	2622	Float Chamber, Body with Base only	12	0	
434	2623	Float	2	6	
435	2624	Needle Valve	1	1	
436	2625	Needle Valve Cotter		5	
437	2626	Tickler		7	
438	2627	Tickler Spring		7	
439	2628	Tickler Nut		7	
440	2629	Float Chamber Top only	2	7	
441	2630	Air Slide	3	0	
442	2631	Throttle Slide	3	10	
443	2632	Spring for Air and Throttle Valves		3	
444	2633	Control Lever Base and Clip	3	5	
445	2634	Control Lever Top		11	
446	2635	Spring Washer for Control		2	
447	2636	Air Lever	3	5	
448	2637	Throttle Lever	3	5	
449	2638	Air Control Slide		3	
450	2639	Throttle Control Slide		3	
451	2640	Control Lever Body	6	0	
452	2641	End Cap for Control Body		5	
453	2642	Centre Fixing Pin for Control Body		3	

TWO-LEVER CARBURETTOR, 1921-4 TYPE.

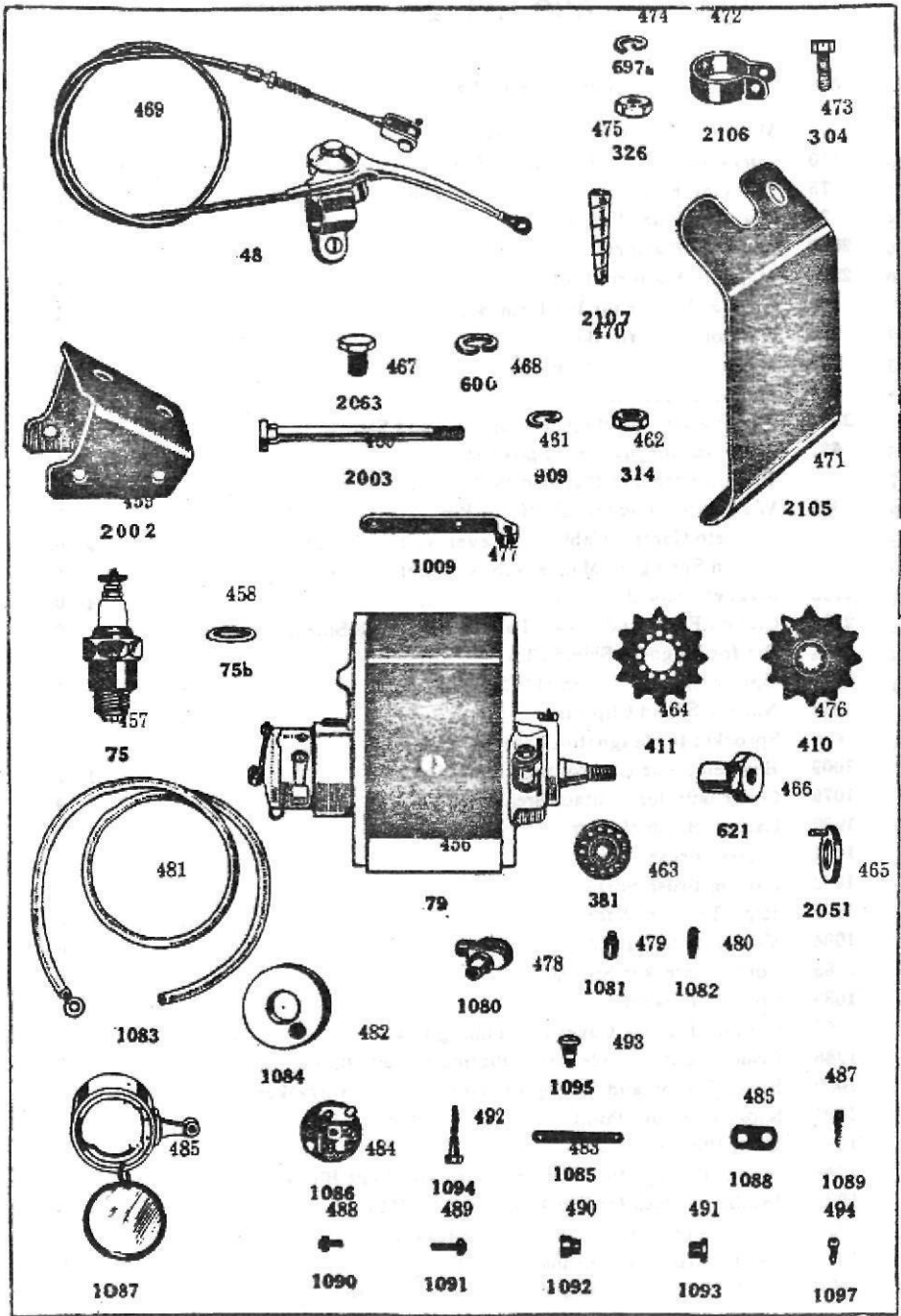


Ignition and Magneto Parts.

Serial No.	Part No.	Description of Part.	Price.		
			£	s.	d.
456	79	Magneto only, without Sprocket, etc. (A.C.V. Type)	6	12	6
456	1110	Lucas Magdyno only, without Sprocket, etc.	1923-4	14	17 6
457	75	Sparking Plug ... "Sphinx" 4 - K.L.G. No. 205	6	0	0
458	75B	Sparking Plug Washer	1
459	2002	Magneto Platform	4 0
460	2003	Magneto Platform Bolt	6
461	909E	Spring Washer for Platform Bolt	1
462	314	Nut for Platform Bolt...	2
463	381	Magneto Sprocket Sleeve	1 9
464	411	Magneto Sprocket	3 0
465	2051	Peg Washer for Magneto Sprocket and Sleeve	6
466	621	Lock Nut for Magneto Sprocket	6
467	2063	Pin for attaching Magneto to Platform	2
468	600	Washer for Magneto Platform Pin...	1
469	48	Magneto Control Cable and Lever on Handlebar	9 0
470	2107	Return Spring on Magneto for Contact Breaker...	6
471	2105	Magneto Shield	4 0
472	2106	Clip on Front and Down Tube for Magneto Shield	9
473	304	Pin for Magneto Shield Clip	2
474	697A	Spring Washer for Shield Clip Pin	1
475	326	Nut for Shield Clip Pin	2
476	410	Sprocket for Magneto Chain (on Engine)	3 0
477	1009	Bowden Cable Control Stop (on Magneto)	1 9
	1079	Cover only for Contact Breaker	9
478	1030	Carbon Brush Holder	1 2
479	1081	Carbon Brush	1 3
480	1082	Carbon Brush Spring	
481	1083	High Tension Wire	1 3
482	1084	Vulcanite Slip Ring	9 0
483	1085	Contact Breaker Spring	4
484	*1086	Contact Breaker
485	1087	Contact Breaker Cover and Timing Cage	6 3
486	1088	Insulating Bush underneath Platinum Point Block	2
487	1089	Earth Carbon and Spring for Back of Carbon Breaker	6
488	*1090	Short Platinum Point
489	*1091	Long Platinum Point
490	1092	Insulating Bush for fastening Platinum Point Block	4
491	1093	Insulating Bush for Block fastened by 1904	4
492	1094	Taper Screw for fixing Contact Breaker	3
493	1095	Earth Carbon and Spring in Holder	1 0
494	1097	Inside Screw for fixing High Tension on Cable in 1080	2

* Current prices will be quoted on application.

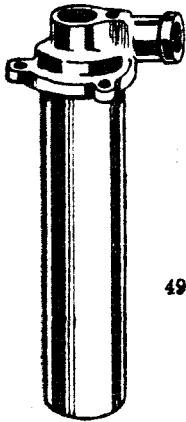
IGNITION AND MAGNETO PARTS.



Oil Pump Parts.

<i>Serial No.</i>	<i>Part No.</i>	<i>Description of Part.</i>	<i>Price.</i>	
			<i>£</i>	<i>s. d.</i>
495	1132	Pump Barrel	5	6
496	1133	Pump Plunger Rod		6
497	1134	Plunger Spring		6
498	1135	Pump Plunger Catch and Gland Nut	1	0
499	1136	Pump Plunger Head	1	0
500	1137	Spring Seating and Gauze Holder		6
501	1133	Plunger Strainer Gauze		4
502	1139	Pump Leather Cup Washer		2
503	1140	Cup Leather Brass Washer		4
504	1141	Cup Leather Steel Washer		3
505	1142	Small Nut at Bottom of Plunger Rod		2
506	1143	Copper Asbestos Washer		1
507	1144	Plunger Tubular Stop		2
508	1145	Packing Washer		1
509	1146	Non-Return Ball Valve		1
510	1147	Non-Return Ball Valve Screw Plug		3
511	1148	Non-Return Ball Valve Spring		1
512	804	Pump Tap and Elbow	3	3

OIL PUMP PARTS.



1132

495



1133

493



1134

497



1135

498



1140

503



1136

499



1137

500



1141

504



1138

501



1145

508



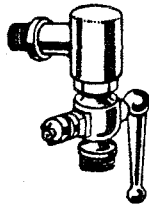
1146

509



1143

506



804

512



1144

507



1148

511



1142

505



1147

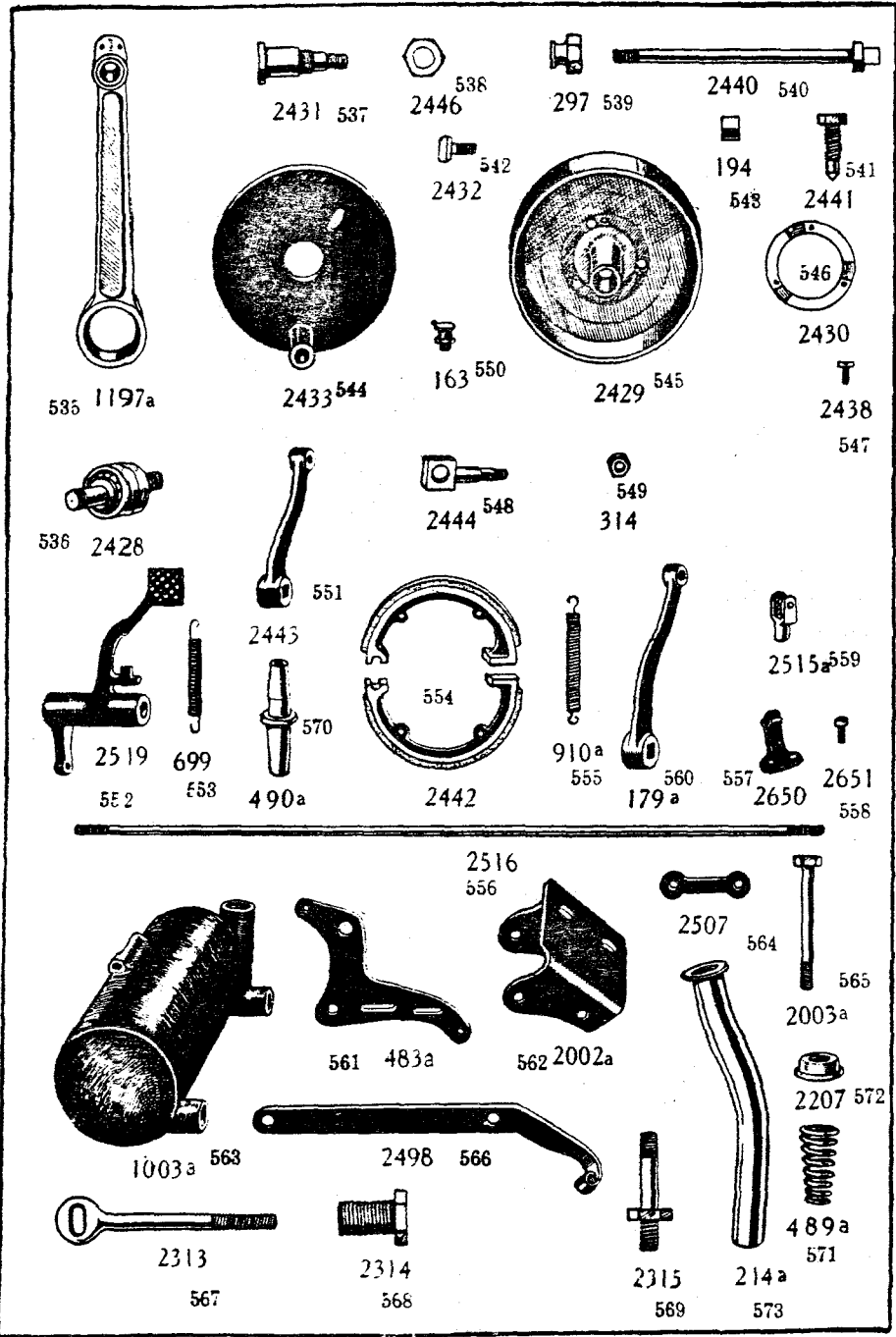
510

Alterations affecting the 1921-4 7 h.p. Models.

A.J.S. 1921-4 ENGINE, FRONT BRAKE, SILENCER, Etc.

Serial No.	Part No.	Description of Part.	Price		
			£	s.	d.
535	1197A	Connecting Rod, with Bushes	1	1	0
533	2428	Crank Pin, complete with Roller Bearings and Outer Races	1	12	6
527	2431	Dummy Spindle for Front Brake	2	0	0
538	2446	Dummy Spindle Lock Nut	3	0	0
539	297A	Front Wheel Nut	7	0	0
540	2440	Solid Spindle	2	6	0
541	2441	Anchor Plate Stop	4	0	0
542	2432	Driving Stud	4	0	0
543	194A	Distance Piece	4	0	0
544	2433	Anchor Plate	9	6	0
545	2429	Brake Drum only	1	0	0
546	2430	Driving Stud Retaining Ring	10	0	0
547	2438	Pin for Driving Stud Ring	1	0	0
548	2444	Expander Piece for Brake Shoes	2	9	0
549	314A	Expander Piece Nut	3	0	0
550	163	Expander Piece Lubricator	5	0	0
551	2453	Front Brake Shoe Operating Lever	2	6	0
552	2519	Front Brake Foot Pedal	8	0	0
553	699	Front Brake Foot Pedal Return Spring	4	0	0
554	2442	Front Brake Shoes, with Lining	(Lipings only, 3 6)	10	0
555	910A	Front Brake Shoe Springs	each	4	0
556	2516	Rear Brake Operating Rod	1	9	0
557	2650	Rear Brake Rod Clip...	9	0	0
558	2651	Rear Brake Rod Clip Pin	2	0	0
559	2615A	Rear Brake Rod Yoke End	8	0	0
560	179A	Rear Brake Operating Lever	2	3	0
561	483A	Front Engine Plate	4	0	0
562	2002A	Magneto Platform	4	6	0
563	1003A	Silencer Body	11	6	0
564	2507	Link for Magneto Platform Pin	9	0	0
565	2003A	Magneto Platform Pin	6	0	0
566	2498	Stop Bracket for Front Brake Cable	1	6	0
567	2313	Adjusting Bolt for Gear Box	1	9	0
568	2314	Adjusting Sleeve	10	0	0
569	2315	Rear Holding Stud for Gear Box...	1	3	0
570	490A	Valve Guide	1	3	0
571	489A	Valve Spring	9	0	0
572	2307	Valve Spring Cup	6	0	0
573	214A	Front Exhaust Pipe	3	6	0

A.J.S. 1921-4 ENGINE, FRONT BRAKE, SILENCER, Etc.



535 1197a

2431 537

2446 538

297 539

2440 540

2433 544

2432 542

194 548

2441 541

2429 545

2430 546

163 550

2438 547

536 2428

2444 548

549 314

551 551

2442 554

910a 555
179a 560

2515a 559

2519 552
552 699 553

490a 570

557 2650
2651 558

2516 556

2507 564

561 483a

562 2002a

1003a 563

2498 566

2003a 565

2207 572

2313 567

2314 568

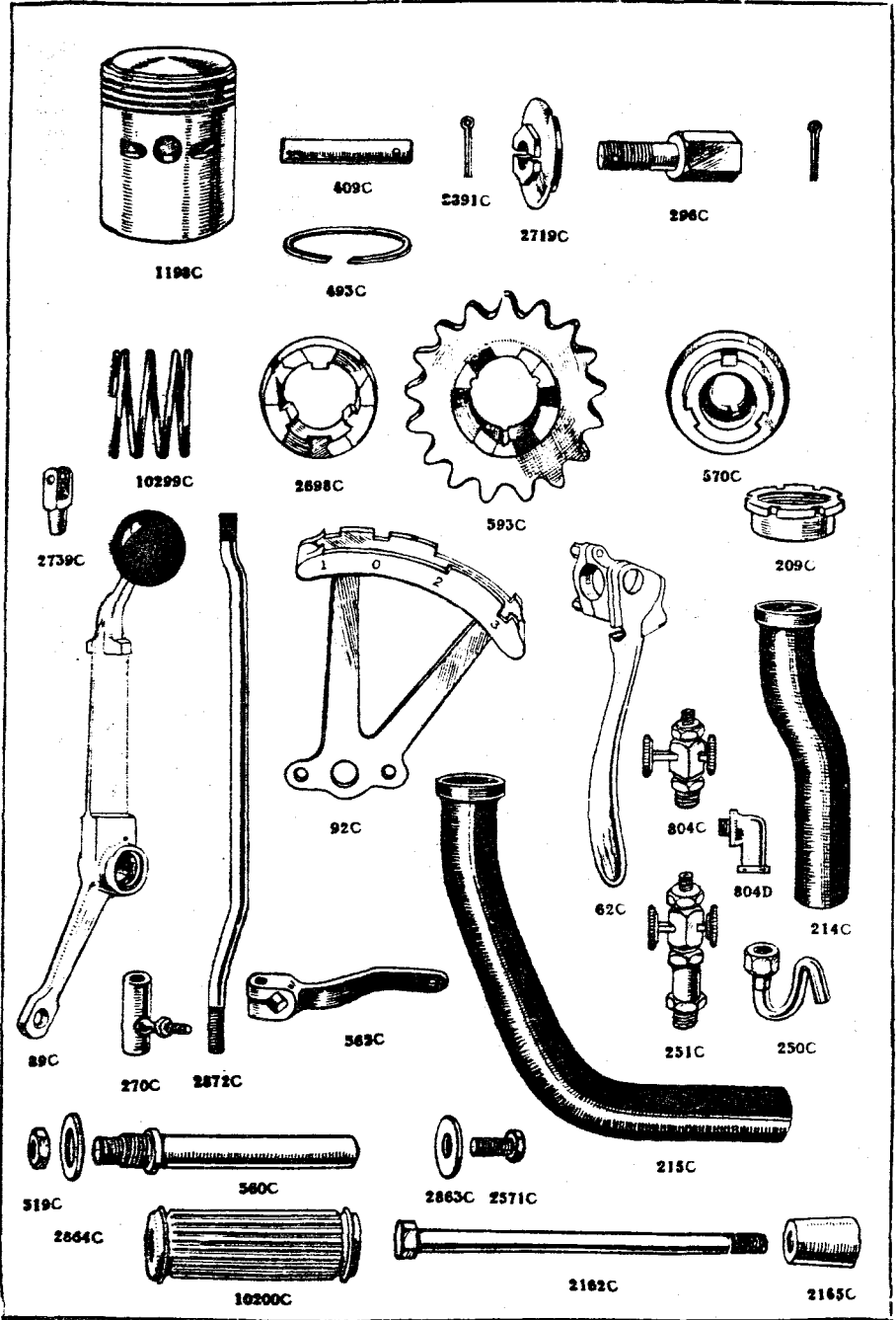
2315 569

214a 573

489a 571

A.J.S 1922-24 Engine Parts, etc.

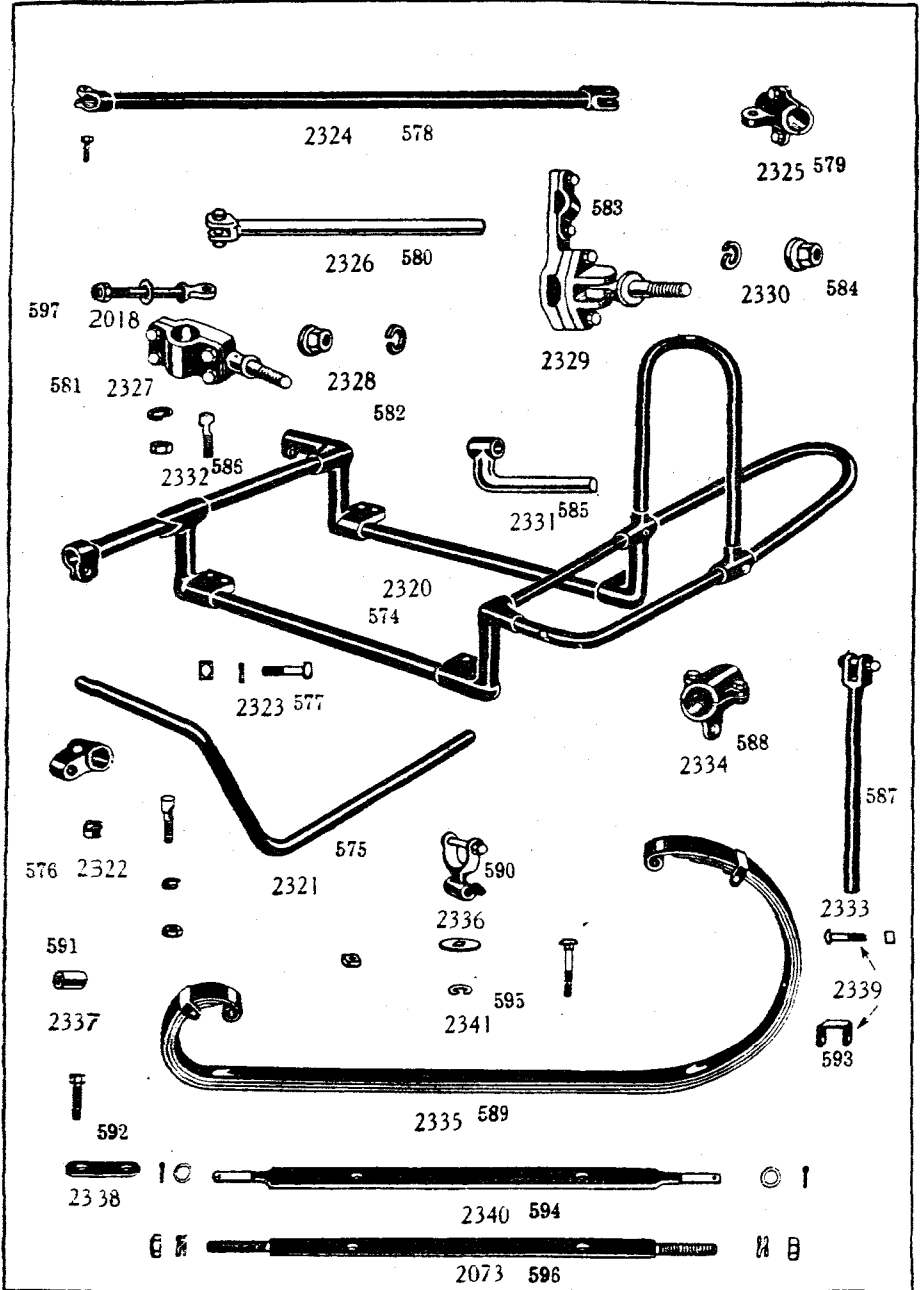
Part No.	Description of Part.	Price.		
		£	s.	d.
62c	Exhaust Valve Lifter Lever and Clip, minus Cable	...	11	0
89c	Change Speed Lever and Knob	...	14	6
92c	Change Speed Quadrant, complete	...	14	6
209c	Exhaust Pipe Cylinder Union	...	3	0
214c	Front Exhaust Pipe	...	3	6
215c	Rear Exhaust Pipe	...	5	0
250c	Priming Pipe only, with Union	...	1	0
251c	Petrol Tap, complete	...	3	6
270c	Ball Joint for End of Change Rod	...	1	4
293c	Engine Shaft Sleeve Nut	...	6	
	Cotter Pin for End of Sleeve Nut	...	1	
409c	Gudgeon Pin	...	1	6
493c	Piston Ring	...	10	
519c	Kick-starter Pedal Nut	...	3	
560c	Kick-starter Pedal Spindle	...	2	0
562c	Gearshifter Lever Outside Gear Box	...	3	0
570c	Engine Sprocket Sleeve	...	5	9
593c	Engine Sprocket	...	10	6
594c	Engine Sprocket, complete with Shock Absorber Parts	...	1	2
804c	Priming or Oil Tap	...	2	6
804d	Oil Tap, Elbow only	...	9	
1198c	Piston Body only	...	13	0
2162c	Handlebar Expander Bolt	...	1	2
2165c	Handlebar Expander Plug	...	4	
2571c	Fixing Pin for Kick-starter Pedal Rubber	...	3	
2698c	Shock Absorber Driving Dog	...	3	3
2719c	Shock Absorber Spring Adjusting Nut	...	1	3
2739c	Yoke End for Change Speed Rod	...	1	0
2863c	Washer for Outer End of Kick-starter Pedal	...	6	
2864c	Washer for Inner End of Kick-starter Pedal	...	6	
2872c	Change Speed Rod	...	1	6
2891c	Gudgeon Pin Cotter	...	2	
10200c	Kick-starter Pedal Rubber	...	1	3
10299c	Shock Absorber Spring	...	1	2



6 h.p. Sidecar Chassis Parts.

Serial No.	Part No.	Description of Part.	6 h.p. 1915-20 Price.	
			£	s. d.
574	2320	Chassis only, minus Connections	6	7 6
575	2321	Front Bent Arm, without Adjusting Piece	12	0
576	2322	Adjusting Piece, with Locking Device for end of Front Bent Arm	6	6
577	2323	Bolt, Nut and Washer, for fastening Front Arm in Chassis Tube	1	3
578	2324	Diagonal Stay from Rear Axle Tube, with Bolt for end	8	6
579	2325	Split Lug on Axle Tube, for Diagonal Stay Attachment	4	6
580	2326	Telescopic Arm, for Diagonal Stay	5	9
581	2327	Front Down Tube Clip, complete	11	3
582	2328	Nut and Washer, for Front Down Tube Clip... ..	1	2
583	2329	Chain Stay Clip, complete	1	0 0
584	2330	Large Lock Nut and Washer, for Chain Stay Clip	1	2
585	2331	Swivelling Arm, for Chain Stay Connection... ..	6	0
586	2332	Bolt, Nut and Washer, for fastening Swivelling Arm in Chassis Tube	2	0
587	2333	Sidecar Stand	15	0
588	2334	Sidecar Stand Split Lug	4	3
589	2335	Sidecar Cee Spring Each	17	6
590	2336	Shackle for Spring... .. "	2	3
591	2337	Shackle Distance Piece "		9
592	2338	Fixing Plates and Pins, for Cee Springs "	1	9
593	2339	Clip, with Bolt and Nut, for Clamping Leaves of Spring... ..		10
594	2340	Front Body Bar, for Spring Attachment, with Washers and Cotters	4	6
595	2341	Coach Bolt, Nut and Washer, for Body Bars Each		3
596	2073	Rear Body Bar, with Nuts and Washers, for Shackle Attachment	4	6
597	2018	Seat Pillar Eye Bolt, with Nut and Washer	4	6

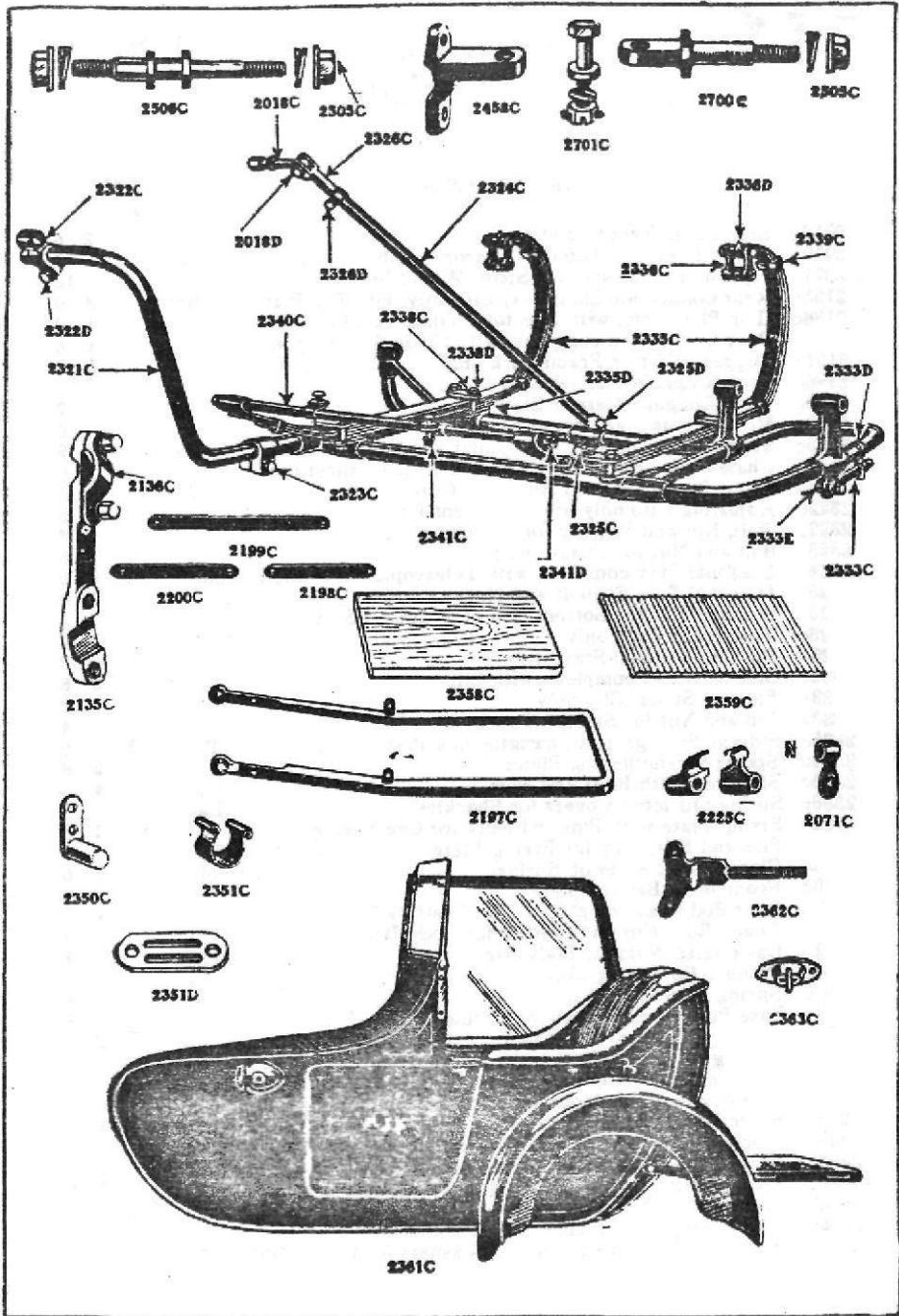
6 h.p. SIDECAR CHASSIS PARTS.



A.J.S. 1922-24 Sidecar Chassis and Body Parts.

Part No.	Description of Part.	Price.		
		£	s.	d.
2018c	Seat Pillar Eyebolt and Nut	2	6	
2018D	Pin and Nut for Top of Telescopic Tube			4
2071c	Fly Nut and Washer for Spare Wheel Bracket			10
2135c	Rear Connection Chain Stay Clip only, with Top Plate and Pins	8	0	
2136c	Top Plate only, with Pins for Chain Stay Clip	1	0	
	Rear Connection complete, with Chain Stay Clip, etc.	14	6	
2197c	Luggage Carrier Framework only	5	0	
2198c	Short Luggage Carrier Stay			5
2199c	Long Luggage Carrier Stay			7
2200c	Medium Luggage Carrier Stay			6
2225c	Spare Wheel Bracket Clip (Inner and Outer Halves)	1	9	
2230c	Chassis complete, with Front and Rear Connections	9	7	6
2231c	Front Bent Arm with Adjusting Clip	13	6	
2232c	Adjusting Clip only for Front Bent Arm	6	9	
2232D	Bolt, Nut and Washer for Adjusting Clip			6
2233c	Bolt and Nut for Chassis Clip			6
2234c	Diagonal Stay complete, with Telescopic Tube and Eyebolts	1	0	0
2235c	Diagonal Stay Eyebolt and Nut	2	0	
2235D	Bolt and Nut for Bottom End of Diagonal Stay			4
2236c	Telescopic Tube only	3	0	
2236D	Pin for Diagonal Stay Clip			3
2333c	Sidecar Stand complete, with Clip	3	6	
2333D	Sidecar Stand, Clip only	1	0	
2333E	Pin and Nut for Sidecar Stand			4
2335c	Sidecar Springs, less Strengthening Plate Pair	1	7	6
2335D	Spring Strengthening Plates "	2	6	
2336c	Shackles, with Bolts and Nuts "	4	6	
2336D	Spring Oil Hole Covers for Shackles Each			2
2338c	Fixing Plate with Pins and Nuts for Cee Springs "	1	6	
2338D	Pins and Nuts only for Fixing Plate "			4
2339c	Clamps for Leaves of Springs Per Set of 6	3	6	
2340c	Front Body Bar complete	4	6	
2340D	Rear Body Bar complete (not illustrated)	4	6	
2341c	Coach Bolt, Nut and Washer for Body Bars			3
2341D	Castellated Nuts for Body Bars Pair			8
2350c	Plunger for Spring Clip	1	0	
2351c	Spring Clip only			3
2351D	Base Plate with Screws for Spring Clip			6
2358c	Luggage Carrier Wood Base	2	0	
2359c	Luggage Carrier Matting	4	0	
2361c	Sidecar Body fitted with Stormproof Apron, Windscreen, Sidescreen, Mudguard and Carrier (excluding Lamp)	15	0	0
2362c	Spare Wheel Bracket only	3	9	
2363c	Storm-proof Apron Turnbuttons, with Eyelets Doz.	6	0	
2458c	Rear Connection Platform Lug only	3	6	
2505c	Flanged Nuts and Washers for Front Connection Bolt	1	0	
2506c	Front Connection Bolt, without Nut and Washers	3	0	
2700c	Rear Connection Eyebolt, Nut and Washer	2	0	
2701c	Bolt with Castellated Nut and Washers for Connection Lug	1	3	

A.J.S. 1922-24 SIDECAR CHASSIS & BODY PARTS.

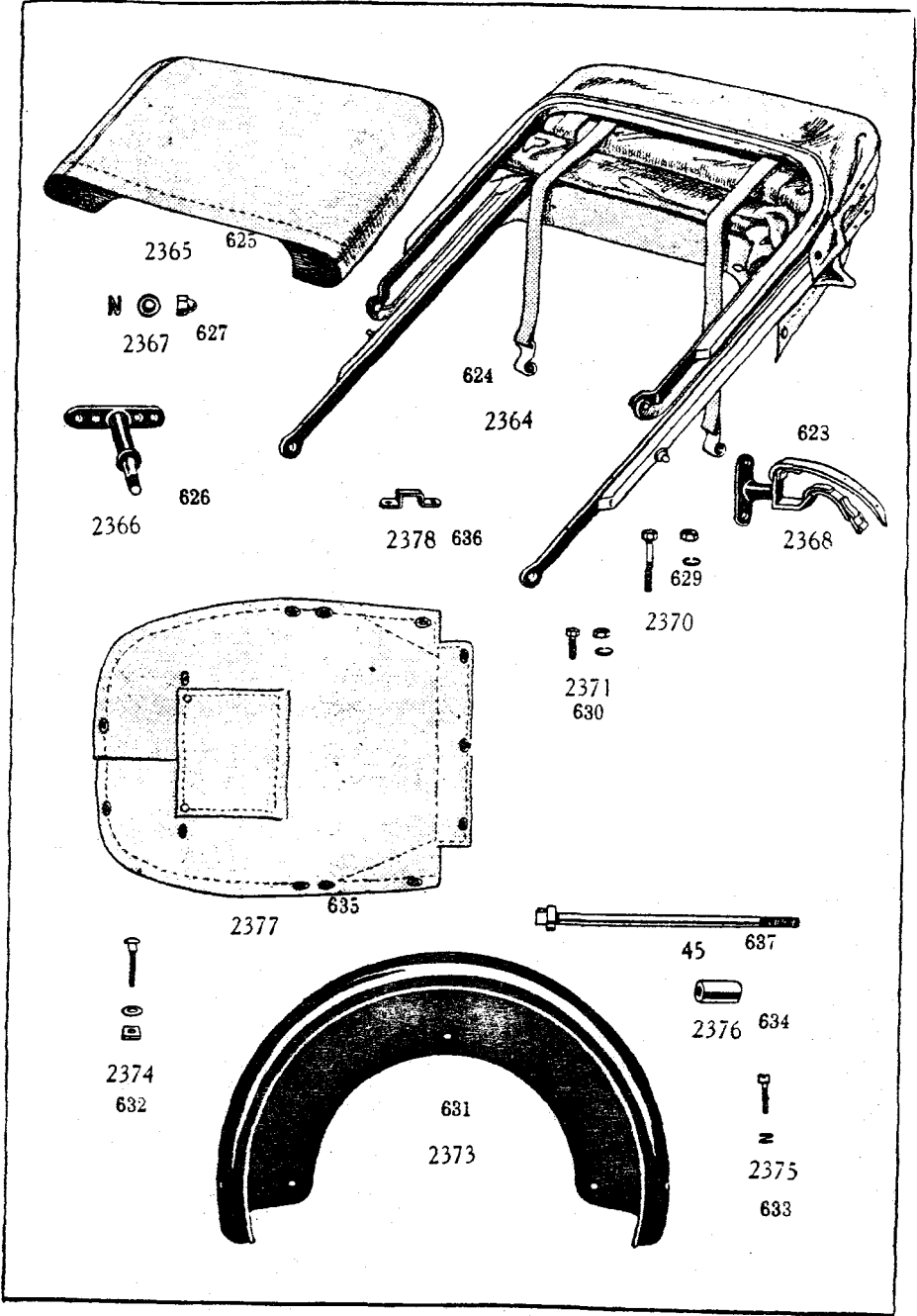


A.J.S. Sidecar Parts, *Continued,* Hood, Mudguard, etc.

Serial No.	Part No.	Description of Part.	1915-24 Price.	
			£	s. d.
624	2364	Hood, complete	3	0 0
624A	2358	Hood, complete. (Tandem Seater)	3	15 0
625	2365	Hood Cover	12	0 0
625A	2659	Hood Cover. (Tandem Seater)	12	0 0
626	2366	Hood Iron, Front... .. .	1	3 0
627	2367	Hood Iron Nut and Washers		6 0
628	2368	Hood Rest, with Straps (Rear)	3	0 0
629	2370	Bolt, Nut and Washer, for two Top Holes in Body Plates... .. .		4 0
630	2371	Bolt, Nut and Washer, for Lower Hole in Outer Body Plate		3 0
631	2373	Sidecar Mudguard 1915-20	17	6 0
	2373A	Sidecar Mudguard. 1921-24. With Brackets for Fixing	1	2 6
632	2374	Mudguard Pin, Nut and Washer. for fastening Guard to Chassis		4 0
633	2375	Small Pin and Washer for attaching Mudguard Valance to Chassis		2 0
634	2376	Sidecar Wheel Spindle Distance Piece		6 0
635	2377	Sidecar Coverall Apron Black ...	1	2 6
636	2378	Clips for Hood Straps on Front of Body		9 0
	*2330	Side Curtains Per Pair	1	1 0
637	45	Sidecar Wheel Spindle	3	0 0
638	1107	Sidecar Wheel, less Tyre and Tube	3	3 0
639	2652	*Door Knob		1 0
640	2653	*Celluloid Sidescreen Right-hand	1	5 0
641	2654	*Celluloid Sidescreen Left-hand	1	5 0
642	2655	*Celluloid Sidescreen. With Arms (Tandem Seater) Rear Right-hand	1	10 0
643	2656	*Celluloid Sidescreen. With Arms (Tandem Seater) Rear Left-hand	1	10 0
644	2657	*Celluloid Sidescreen (Tandem Seater) Front Left-hand	1	5 0

*Not illustrated.

A.J.S. SIDECAR PARTS, Continued, HOOD, MUDGUARD, Etc.



A.J.S. Chain Parts, Tool Cases, Tools, etc.

Part No.	Description of Part.	Price.		
		£	s.	d.
1073	Driving Chain Spring Link, complete	8
1070	Driving Chain Two Link Piece	11
1075	Spring Clip	3
65	Driving Chain (Engine to Gear Box)	14 0
64	Driving Chain (Gear Box to Back Wheel)	1 4 2
70	Magneto Chain	2 1
	Military Model 4 6	
1065	Magneto Chain Spring Link	2
1063	Magneto Chain Two Link Piece	3
1063	Stud Extractor	5 9
333	"Brooks" Cantilever Saddle, complete	3 16 0
333A	"Brooks" B170 Saddle	1 13 0
340A	Pannier Tool Cases, with Fittings	...	each...	9 0
335	Tyre Inflator	4 0
333	Leg Shields, complete with Fittings	1 10 0

TOOLS.

333	Tool Roll, complete with Tools	1 14 6
339	Oil Can	1 3
341	Oil Gun	6 0
344	Pliers	2 6
345	Box Spanner and Screw Driver	2 3
346	Box Spanners with Tommy Bar (3)	3 0
347	Valve Cap Spanner	3 0
348	Valve Lifter Hook	9
349	Magneto Spanner	1 0
351	Large Adjusting Spanner	5 4
353	Large Open Ended Spanner	1 3
354	Medium Open Ended Spanner (Tappet)	1 0
358	Small Open Ended Spanner (Tappet)	9
361	Hub Lock Ring Spanner	3 0
362	Hub Cup Spanner	1 6
364	File	9
365	Centre Punch	9
366	Tyre Levers	...	Pair	9
367	Wheel Spanner, with Tommy Bar	2 6
369	Screw Driver	1 0

BOX OF ASSORTED SPARE PARTS,
Suitable for D or D1 Motor Cycles, £1 0 0.

Bink's 2-Jet Carburetter.

Part No.	Description of Part	Price		
		£	s.	d.
837	Complete Carburetter, with Controls. No. 269	3	0	0
838	Control Levers, complete (less Cables)	15	0	
839	Control Levers, complete with Cable	1	4	0
840	Carburetter Body, including Jet Seat and Choke	1	0	0
841	Pinch Bolt			8
842	Float Chamber. Complete	15	0	
843	Lid, complete. Top Feed			5 0
844	Float and Needle. Complete			5 0
845	Float Chamber only			5 0
846	Lid only			2 6
847	Tickler Plunger			6
848	Tickler Spring			3
849	Filter, for Petrol Pipe			1 0
850	Petrol Pipe Nut			1 0
851	Petrol Pipe Nipple			9
852	Needle Valve Seat			1 6
853	Float Chamber Holding Screw			1 6
854	Throttle			2 6
855	Air Plunger			2 6
856	Spring for Throttle or Air Plunger			9
857	Intake Cap			1 6
858	Pilot Jet. (Size of Orifice)			1 0
859	Main Jet			1 0
860	Base for Control Levers			3 6
861	Top Lever. Short			3 6
862	Bottom Lever. Long			3 6
863	Spring			6
864	Cover Plate for Spring			1 0
865	Central Screw			6
866	Friction Washer			6
867	Base Clamp			1 0
868	Clamp, Screws		Pair	6
869	Jet Key			1 0

Magdyno Lighting Set.

AS FITTED TO THE 7 h.p. 1923-1924 MODELS.

<i>Part No.</i>	<i>Description of Part.</i>	<i>Price.</i>		
		<i>£</i>	<i>s.</i>	<i>d.</i>
1109	Lucas Magdyno Lighting Set, complete (Combination)	19	7	6
1110	Magdyno only	14	17	6
1111	Switchbox, complete. Type M6. Tank Fixing	1	12	6
1112	Head Lamp only. Type R45.	1	15	0
1113	Bracket for Head Lamp	3	6	
1114	Sidecar Lamp	12	6	
1115	Tail Lamp	8	6	
1116	5 m/m Rubber Covered Cable			6
				per yard
1117	Battery in Tin Case	No. 618	2	12 0
1118	Battery in Tin Case (Solo)	No. 68	2	10 0
1119	Battery. Moulded Ebonite	No. 612	1	10 0
1120	Battery. Moulded Ebonite. (Solo)...	No. 612	1	12 6
1121	Bulb for Head Lamp		3	6
1122	Bulb for Sidecar or Tail Lamp		1	6
1123	Glass only for Head Lamp		2	6
1124	Front Rim and Glass for Head Lamp		8	6
1125	Glass only for Sidecar Lamp			6
1126	Front Rim and Glass for Sidecar Lamp		2	0
1127	Bulb Case with Clip (less Bulbs)		5	6

A.J.S 1924 D1 Model.

PARTS FITTED TO THE D1 1924 MACHINE THAT DIFFER FROM THE DE LUXE MODEL.

<i>Part No.</i>	<i>Description of Part.</i>	<i>Price.</i>	
		<i>£</i>	<i>s. d.</i>
66	Driving Chain. Engine to Gear Box	11	6
67	Driving Chain. Gear Box to Rear Wheel	1	0 3
68	Spring Link for Driving Chain		7
69	Two Link Piece for Driving Chain		9
71	Driving Chain. Magneto	2	4
72	Spring Link for Magneto Driving Chain		2
73	Two Link Piece for Magneto Driving Chain		3
80	Magneto only, without Sprocket (type K.V.)	5	15 0
81	Magneto Shield	3	0
320	Chainguard, complete with Fittings	1	12 6
323	Petrol Tank, without Fittings	4	0 0
370	Seat Pillar, complete with Draw Bolt		5 0
831	Frame, complete	12	0 0
833	Carrier	2	0 0
834	Saddle	1	5 9
1032	Rear Wheel Stand	1	12 0
1033	Rear Mudguard		10 6
1055	Front Mudguard, without Stays		16 6
1056	Stays for Front Mudguard		Pair 2 0
1057	Splasher for Front Mudguard		3 8

A.J.S 1924 D1 Model Sidecar.

Sidecar Body and Chassis Parts.

Part No.	Description of Part.	Price.		
		£	s.	d.
948	D1 "Popular" Sidecar Body only, fitted with Windscreen and Apron	12	5	0
949	Chassis, complete with Connections, Wheel and Tyre	13	10	0
950	Chassis Frame only, without Connections or Springs	3	10	0
951	Front Bent Arm, with Adjusting Clip	11	0	
952	Adjusting Clip only.	5	0	
953	Front Connection Bolt, with Nuts and Washers	4	0	
954	Nuts and Washers, for Front Connection Bolt		Pair	1 0
955	Front "C" Springs. Single Leaf	3	0	
956	Rear "C" Springs. Three Leaf	9	0	
957	Fixing Plate, with Pins and Nuts for Springs	4	6	Per Set (6)
958	Clamps for Rear Springs	2	0	Per Set (4)
959	Diagonal Stay, complete with Seat Pillar Eyebolt, and Chassis Eyebolt	1	0	0
960	Seat Pillar Eyebolt, with Nut for Diagonal Stay	2	6	
961	Chassis Eyebolt with Nut for Diagonal Stay	1	6	
962	Chassis Clip. Without Eyebolt	2	6	
963	Front Bearer Bar, with Washers and Cotter Pins	3	6	
964	Rear Bearer Bar, with Washers and Cotter Pins	4	0	
965	Rear Connection, complete with Chain Stay Clip, etc.	18	6	
966	Rear Chain Stay Clip only. with Top Plate and Pins	8	0	
967	Rear Connection Platform Lug only	3	6	
968	Rear Connection Eyebolt and Nut	2	0	
969	Bolt, with Castellated Nut, for Rear Connection Eyebolt	1	3	
970	Rear Connection Bolt only, with Nut	2	6	
971	Rear Connection Clip	3	6	
972	Mudguard, complete with Stays	1	0	0
973	Bridge Pieces, with Pins and Nuts for Mudguard Stays. Set (3)	2	6	
974	Three-way Stay, with Nuts, clips and Pins for Mudguard	5	0	
975	Stub Axle. Complete with Cones and Lock Nuts	9	6	
976	Adjustable Cone for Stub Axle	1	0	
977	Lock Washer for Adjustable Cone	2		
978	Castellated Lock Nut for Adjustable Cone	4		
979	Castellated Lock Nut. Locking Axle to Chassis	5		
980	Wheel, complete with Tyre	4	15	0
981	Luggage Grid, complete with Stays	1	2	6

A.J.S. Brake Cables, etc.

		6 h.p. 1915-20	7 h-p 1921-24
Front Brake Cable, complete		4 9	4 7
Inner Wire		9	1 0
Outer Casing		1 10	2 5
Spring Box		1 0	—
Plain Stop		7	—
Shackle		7	7
Rear Brake Cable, complete		6 6	
Inner Wire		1 6	
Outer Casing		2 2	
Adjusting Pin		1 2	
Two Shackles		1 6	
Nuts for Adjusting Pin		2	
	6 h.p. 1915--7 h.p. 1924		
Clutch Cable, complete		4 11	
Inner Wire		1 1	
Outer Casing		3 3	
Adjusting Pin		7	
Carburettor Control Cables, complete			
Double Lever	A.M.A.C.	5 9	BINK'S 9 0
Inner Wires		1 7	„ 3 0
Outer Casings		4 2	„ 6 0
Carburettor Control Cable, complete			
Single Lever		3 0	
Inner Wire		1 1	
Outer Casing		1 11	
Valve Lifter Control Cable, complete		5 2	
Inner Wire		1 0	
Outer Casing		3 0	
Shackle		7	
Adjusting Screw		7	
Magneto Control Cable, complete		3 9	
Inner Wire		9	
Outer Casing		1 10	
Shackle		7	
Cable Stop		7	

